

CITY & INDUSTRY BUILDING SET - S1486

GENERAL PLACEMENT INSTRUCTIONS

Read through all instructions before beginning, to have a better understanding of this project.

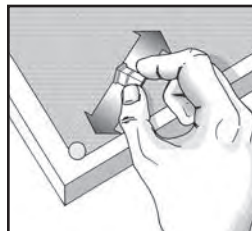
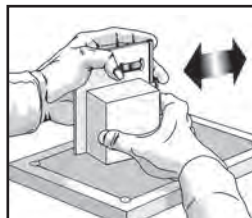
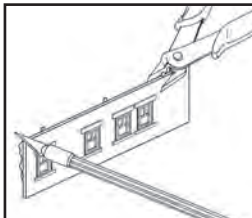
The Grand Valley Layout Kit footprint is located on the back page and shows the suggested placement for each building, but feel free to place them as desired.

The General Instructions contain the basic building techniques that are used to construct the kits. The General Instructions also include information for preparing, painting and gluing the Cast Metal Details. Place Details where desired. These extra accessories add life and interest to a layout.

PREPARE PLASTIC PARTS

Wash in warm, soapy water using a mild detergent. Rinse and let dry.

Use a hobby knife or diagonal cutters and/or sandpaper to remove excess plastic (flash) from Wall Sections and Details that occurred during the molding process. Face cutting edge of blade opposite the scraping direction to avoid cutting into decorative detail. Some Walls have beveled edges that need to be sanded level with #100-grit sandpaper so they set flush and square when assembled. Sand Walls on a flat surface using a squaring block and apply even pressure. The individual kit instructions (located on back of package inserts) specify which wall edges to sand. Do not sand edges that have detailed brickwork, unless specified.



CHIMNEYS

Sand or file smooth sides and bottom of plastic Chimney Backs for a flush fit.

PLASTIC ADHESIVE

Glue Wall Sections and plastic parts together with solvent-based plastic cement or model glue.

ASSEMBLY

Each building has its own set of assembly instructions, which illustrate placement of Wall Sections and building accessories. Decorative detail on Wall edges should remain visible when assembled. A block is helpful during assembly to keep Walls square. Keep Walls level along the bottom. Glue two Walls together, forming a corner. Let glue set and then attach next Wall. Continue until building is complete. **TIP!** After building is assembled, use rubber bands to hold in place until firmly set. When glue is set, sand bottom of building so it sets level.

PAINTING & WEATHERING PLASTIC PARTS

Colors are your choice. We recommended natural brick colors such as rust, tan or other earth tones. Paint door and window trim the same color as the brick or a contrasting color. See photo on box for coloring ideas.

Prime: Apply a thin coat of primer before painting.

Airbrush or Hand-brush: Use flat-finish acrylic (water-based) or enamel (solvent-based) paint.

Aerosol: Use flat-finish spray paint.

Roof: Paint in flat tones and vary colors to resemble weathering and enhance Roofs with shingle detail. Buildings can be painted before or after assembly.

NOTE: Install Window Material after painting.

ACCESSORIES

Paint building accessories in contrasting colors to enhance the structure's appearance (see Prepare Metal Castings).

WEATHERING

Weathering Wash Create the look of brick mortar or add a weathered look by applying a Mortar/Weathering Wash (formula follows). Lay building flat so wash spreads evenly. Using a paintbrush, dab on small amounts of Wash until desired look is achieved. Sponge off excess.

Formula: Mix 1-part acrylic paint (color suggestion: concrete, aged concrete, earth-tone shade), 12-parts rubbing alcohol, 8-parts water and 1 drop liquid dish soap.

Airbrush Airbrush thinned, flat-finish black paint lightly onto select areas (color suggestion: grimy black). Add more where discoloration occurs naturally (near windows, roof details, etc.).

Chalk Dust Rub a dark color of pastel chalk on sandpaper to create chalk dust (color suggestion: gray, black, brown, etc.). Using a paintbrush, dab chalk dust where discoloration can occur.

LIGHTING

If you choose to light the buildings, reduce interior glare by painting the interior walls and underside of roof a flat, earth-tone shade.

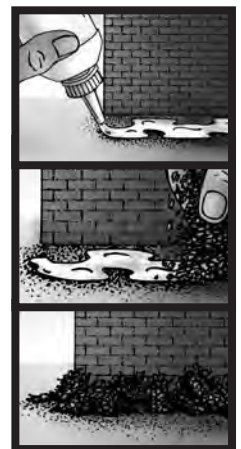
IDEA!

After placing completed structures on your layout, add pieces of Clump-Foliage around base of buildings to help blend them into the landscape realistically.

DRY TRANSFER DECAL

1. Cut out Decal and place on building.
2. Hold Decal firmly in place, and rub over entire design with a burnisher or dull pencil.
3. Remove carrier sheet carefully. If transfer was incomplete, let sheet fall back into place and burnish again.
4. Place backing paper over Decal and burnish again for maximum adhesion.
5. If applying onto textured surface, press Decal into texture with a pencil eraser.

TIP! If Decals are fragmented, they can still be used. Applied Decals can be scored and chipped with a hobby knife. These effects add a realistic, weathered look.



This item is not a Children's Product and is not intended for use by Children.



MODELING AND CARE INFORMATION: This kit suggests the use of materials that may stain or cause damage. Take care to cover project area and clothing appropriately. Follow recommendations for use and clean up.



CAUTION: Cutting tool recommended. Use with care.

F4 ©2000 O CO

THREE-DIMENSIONAL SIGNS

Create three-dimensional signs by applying Dry Transfer Decals to the White Plastic. Decals include signs for the commercial-style buildings. See building part numbers on Decal sheet for suggestions.

1. Apply desired Dry Transfer Decal to White Plastic sheet. Follow Dry Transfer Decal instructions.
2. Using a hobby knife, cut out as close to the edges of the printed Decal as possible (Fig. 1a).
3. Use a black permanent marker to blacken the white edges (Fig. 1b).
4. Glue sign to building (Fig. 1c).



Fig. 1a

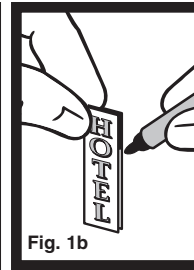


Fig. 1b

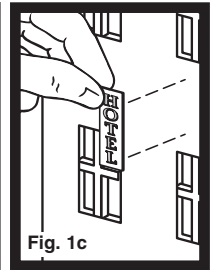


Fig. 1c

HYDROCAL PLATFORM, FREIGHT DOCKS & STEPS

Paint Hydrocal Accessories with a color wash of thinned acrylic paint or Earth Colors® Liquid Pigment. Color suggestions: Use Slate Gray (C1219) for concrete Freight Docks (Parts 106) and Steps (Parts 107 and 108) and Earth Undercoat (C1229) for wooden Platform (Part 105)

PLACEMENT

Glue Steps to sides of Freight Docks and Platform (Fig. 2 and 3). Glue Grand Valley Depot (GV14) to Platform (Fig. 2). Glue Freight Docks to Railway Express Agency (GV3) and Duke's (GV11) (Fig. 3). Use cyanoacrylate adhesive (CA glue / super glue).

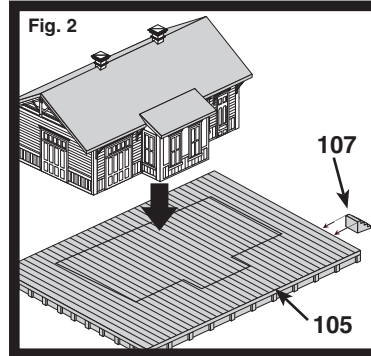


Fig. 2

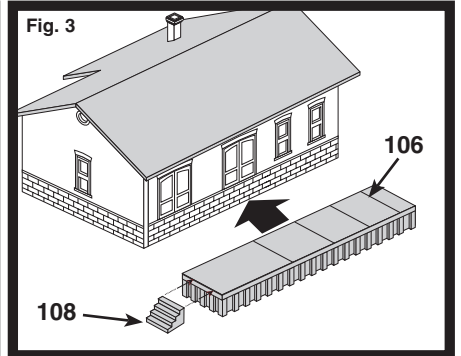


Fig. 3

PLASTIC AWNINGS

1. Paint Awnings for Granny's Café (Parts 52) in the color of your choice with acrylic paint or the Mini-Scene® Paint Set (M125) and let dry.
2. Cut around edges with a sharp hobby knife (Fig. 4), and then remove Awning bottoms. Touch up with paint as needed.
3. Glue to Granny's Café (Fig. 5).

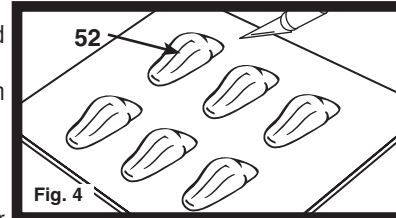


Fig. 4

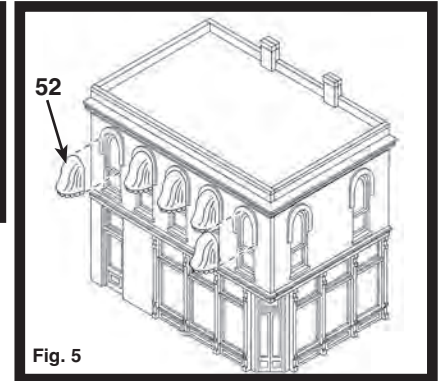


Fig. 5

ROOFS

Buildings GV3, GV10, GV13 and GV14 have special instructions for roof installation. For the rest of the kits, proceed as follows. Set building on a piece of cardboard and trace inside Wall dimensions, then cut out and test fit. Make any needed size adjustments. Trace cardboard roof on Roof Material and cut out by scoring with hobby knife along a straightedge and snap off excess plastic. Test fit and make adjustments. Paint Roof flat black and glue in place according to Chimney type. **NOTE:** GV15 does not have a Roof. Follow the roofing instructions included with the Kit.

Walls with Molded-in Chimney (Fig. 6)

For buildings that have molded-in Chimneys as part of the Wall (GV1, GV6, GV7, GV8 and GV12), glue Chimney Back to molded-in Chimney Front. Insert Roof from underneath building and glue to bottom of Chimney(s). Cut Roof Support Material into two strips shorter than the width of the Walls. On two opposite Walls, glue support strips to set flush against underside of Roof.

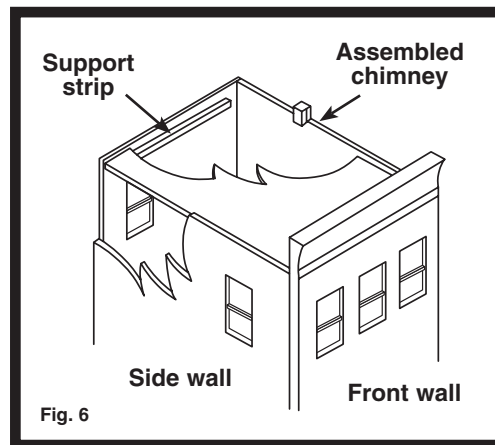


Fig. 6

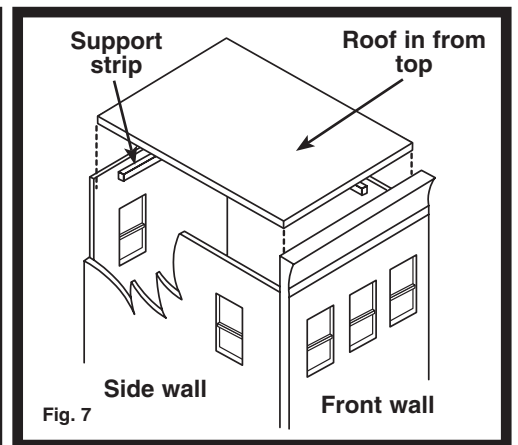


Fig. 7

One-piece Chimney (Fig. 7)

Cut roof supports from Roof Support Material. Supports should be shorter than the width of Walls. Glue Supports so they are even with Supports on the adjacent Wall. If Walls are different heights, be sure the Roof sets below the top of the lowest wall. Generally, the Roof Supports should be glued about 1/8" below the top of the lowest Wall. Glue Roof to the top of Roof Supports. Let Roof dry, then glue One-piece Chimney to Roof.

ASSEMBLE FLAG

Cut out the Flag of your choice with a sharp hobby knife. Fold in half and coat joining faces with white glue. Wrap around the 3-inch Wire provided (Fig. 8). Hold each end of Flag and push toward the center to make a waving flag (Fig. 9).

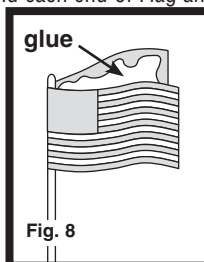


Fig. 8

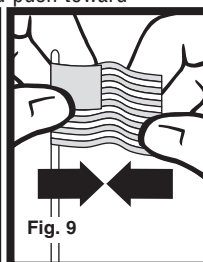


Fig. 9

BLACKOUT PAPER

Use Blackout Paper to create the illusion that the building is occupied by blocking light from entering.

1. Turn structure upside down and measure height from underside of Roof and diagonally from corner to corner.
2. Cut a piece of Blackout Paper to the measured height and diagonal width.
3. Insert into structure (Fig. 10).
4. Place a drop of glue at each corner of the strip to hold in place.

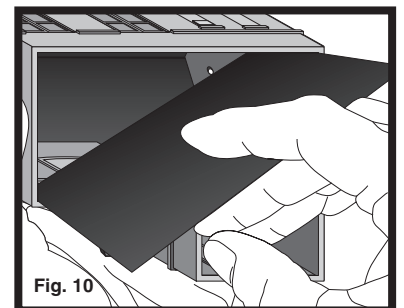


Fig. 10

GENERAL INSTRUCTIONS FOR METAL CASTINGS

PREPARE METAL CASTINGS

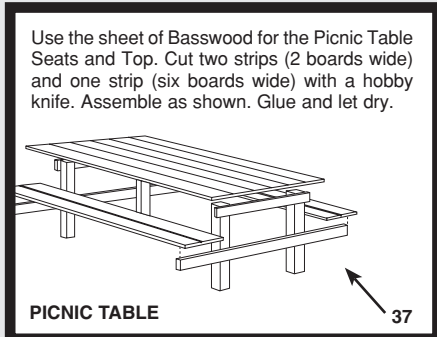
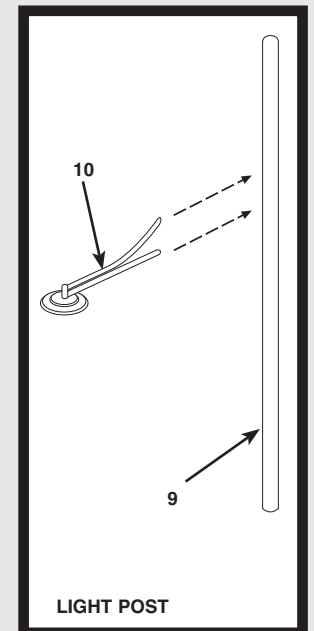
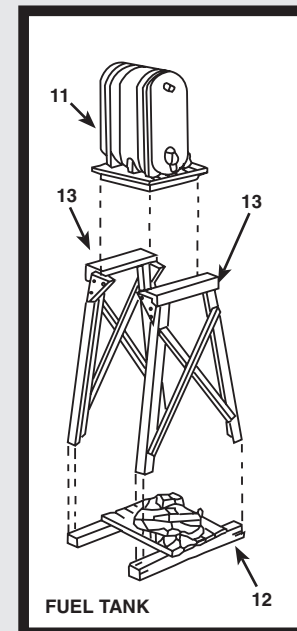
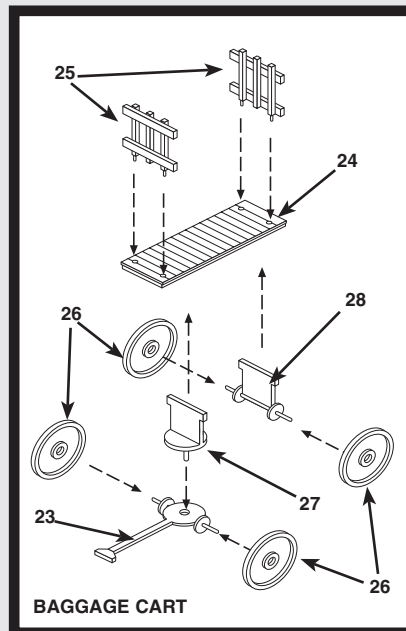
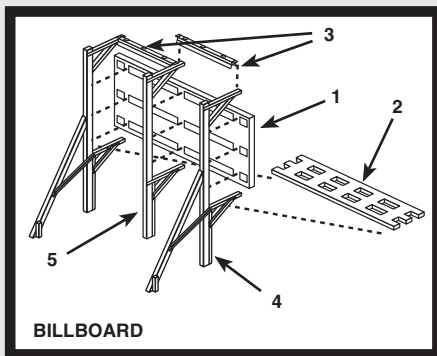
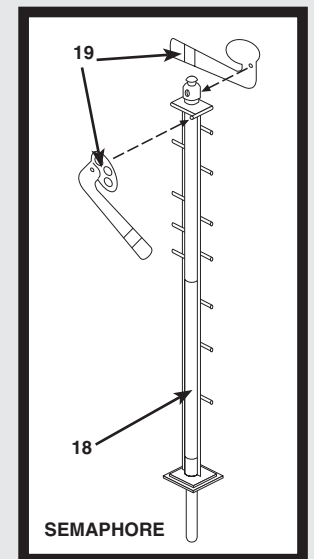
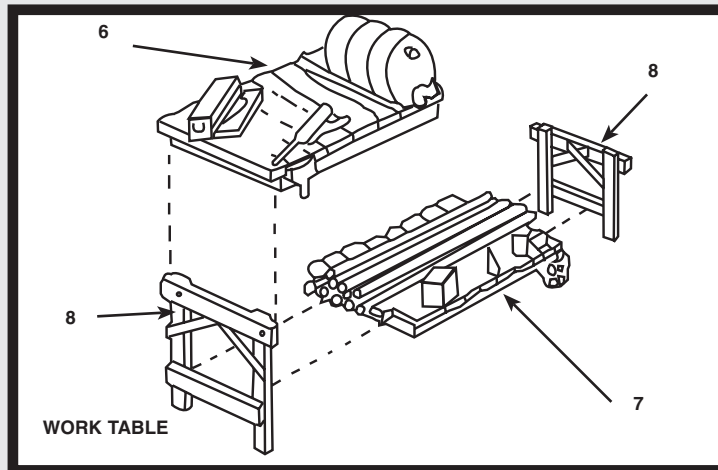
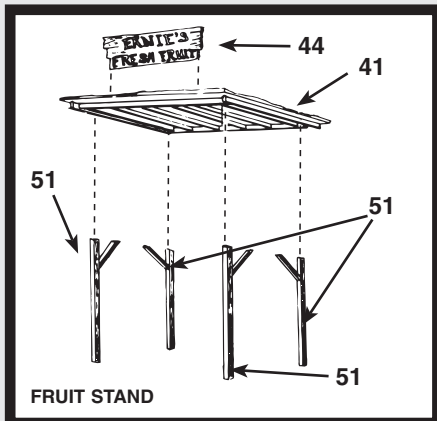
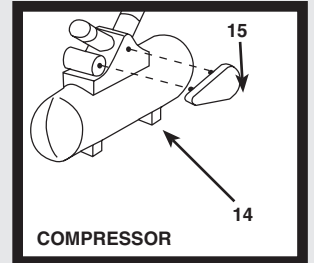
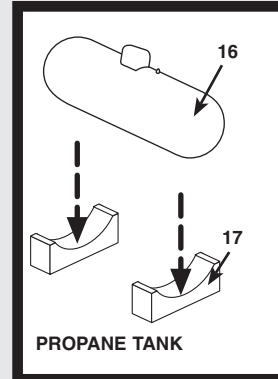
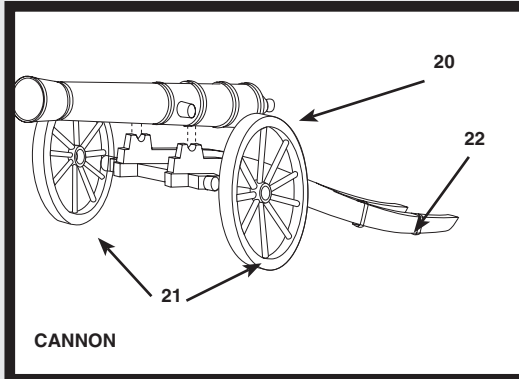
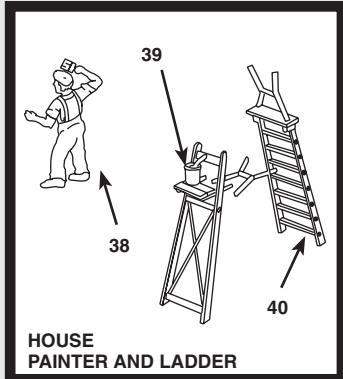
Wash in warm, soapy water using a mild detergent. Rinse and let dry.

Remove parting lines, flash and stems from Castings. Scrap off with a hobby knife, file or sand. If Castings do not fit properly, align them by removing metal with a hobby knife or file. Castings are somewhat brittle and should be handled carefully. If Castings are bent or warped, straighten by placing on flat surface and pushing down high areas. **NOTE:** Cast metal Chimneys are packed with the other metal Castings, they are not packed with the individual kits.

ADHESIVE Glue Castings with cyanoacrylate adhesive (CA glue / super glue) or fast-setting epoxy.

PAINTING Prime Castings before painting. If primer beads on Casting, touch paintbrush to a bar of wet soap and then dip in paint. This will help break surface tension of paint. We recommend using the Mini-Scene Paint Set (M125), but other high-quality, flat hobby paints will also work. Plan ahead. It is often easier to pre-paint Castings. Scrape paint from glue points prior to assembly.

PLACEMENT Place where desired on layout. See building scene on front of individual instructions for ideas.





GV5 Grand House



GV2 General Store



GV1 U.S. Post Office



GV7 Corner Pharmacy



GV3 Railway Express Agency



GV8 Granny's Café



GV4 The Valley Apartments



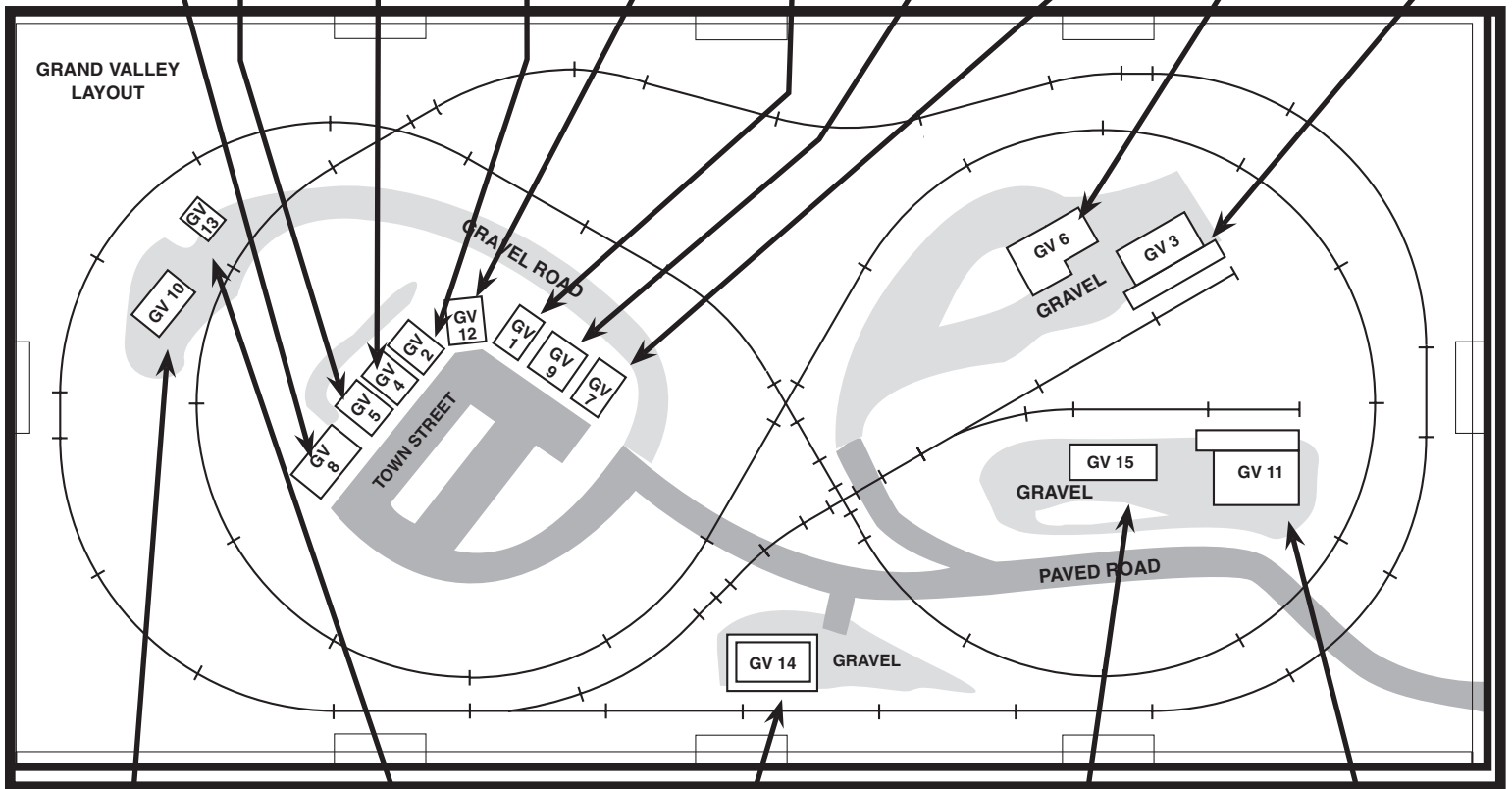
GV12 Bank & Trust



GV9 Grand Valley Hotel



GV6 Rhode's Wholesale Tire



GV10 Woody's Custom Cabinets



GV13 Gretel's Cottage



GV14 Grand Valley Depot



GV15 Johnson Bros.



GV11 Duke's

With 15 separate buildings and more than 200 cast accessories, the City & Industry Building Set is a great way to add structures and details to your train layout. The easy-to-assemble buildings can be used on the Grand Valley Layout Kit (ST1483) or any HO scale layout.

Grand Valley is a complete HO scale layout kit that includes all the terrain and landscape materials a modeler needs to finish a 4 x 8-foot model railroad.

BUILDING KITS LIST

NOTE: Some Building Kits require Metal Castings to complete the structure. These pieces can be found in the large bag of Castings.

No	Name	No	Name	No	Name
GV1	U.S. Post Office	GV6	Rhode's Wholesale Tire	GV11	Duke's
GV2	General Store	GV7	Corner Pharmacy	GV12	Bank & Trust Co.
GV3	Railway Express Agency	GV8	Granny's Café	GV13	Gretel's Cottage
GV4	The Valley Apartments	GV9	Grand Valley Hotel	GV14	Grand Valley Depot
GV5	Grand House	GV10	Woody's Custom Cabinets	GV15	Johnson Bros.

DETAILS LIST

Part No.	Name	Qty.	Part No.	Name	Qty.	Part No.	Name	Qty.				
BILLBOARD	1 Billboard	1	49 Skid of Watermelon	1	98 Street Lights	5	99 Benches	5				
	2 Catwalk	1	50 3 Crates w/Fruit	1	TRIM PIECES FOR GV13	100 Porch Posts	4	101 Porch Cornices	3			
	3 Light Bar	2	51 Supports	4		102 Porch Railings	2	103 Gable Trim	3			
	4 Outer Brace	2	AWNINGS	52 GV8 Window	6		104 Back Porch Brackets	2	HYDROCAL** PARTS	105 Wooden Platform (GV14)	1	
	5 Inner Brace	1		53 Shovel, Pick and Hoe	1		106 Freight Dock (GV3 & GV11)	2		107 3 Steps (GV14)	1	
WORK TABLE	6 Table Top	1	MISC. DETAILS	54 Standing Mailbox	1		108 4 Steps (GV3 & GV11)	2	ONE-PIECE CHIMNEY CASTINGS		Small Chimney (GV2, GV4, GV5)	3
	7 Lower Shelf	1		55 Ladder	1		Medium Chimney (GV3)	1			Large Chimney (GV9, GV11)	2
	8 Legs	2		56 Memorial Park Sign	1		Small Beveled Chimney (GV10)	1			Chimney Set (GV13)	1
LIGHT POST (3)	9 Post	3		57 Tractor Wheel & Tire	3	ADDITIONAL ITEMS INCLUDED WITH KIT					8 Blackout Paper	
	10 Light	3		58 Wood Stack	1		7 3/4 in x 4 1/2 in (19.6 cm x 11.4 cm) ea				1 Blackout Paper	
FUEL TANK	11 Tank	1		59 Floodlights	9		4 7/8 in x 3 7/8 in (12.3 cm x 9.84 cm)				2 Wire for Flagpole	
	12 Base	1		60 Floodlights w/ Brackets	2		3 in (7.62 cm) ea				1 sheet Basswood for Picnic Table	
	13 Supports	2		61 Wheelbarrow w/ Axe	1		7/8 in x 1 3/4 in (2.22 cm x 4.44 cm)				1 sheet Dry Transfer Decals	
COMPRESSOR	14 Compressor Tank	1		62 Dogs	2		1 sheet Paper Signs and Flags				1 White Plastic for Signs	
	15 Pulley Cover	1		63 Doghouse w/ Dog	1		3 1/2 in x 3 1/2 in (8.89 cm x 8.89 cm)					
PROPANE TANK (2)	16 Tank	2		64 Spilled Trashcan	1							
	17 Supports	4		65 Trashcan	3							
SEMAPHORE	18 Post	1		66 Stone Grill	1							
	19 Flags	2		67 Sitting Man	1							
CANNON	20 Cannon Barrel	1		68 Sitting Woman	1							
	21 Wheels	2		69 Man w/Shovel	1							
	22 Frame	1		70 Blind Man	1							
BAGGAGE CART	23 Handle	1		71 Outhouse Man	1							
	24 Platform	1		72 Baggage (group of 3)	1							
	25 Guards	2		73 Schedule Sign	1							
	26 Wheels	4	MISC. DETAILS CONT.	74 Misc. Baggage	2							
	27 Front Axle	1		75 Stair Railing	1							
	28 Rear Axle	1		76 Large Skids	12							
TRACKSIDE JUNK	29 Base	1		77 Small Skids	6							
	30 Supports	2		78 Cable Roll	3							
	31 Wheels	3		79 Trunk	1							
	32 Pile of Ties and Plates	1		80 Single Barrels	9							
	33 Keg of Spikes	1		81 3 Barrel Grouping	2							
	34 Pile of Junk	1		82 Barrel w/ Junk	2							
	35 Side Frames	2		83 Wooden Crates (misc)	3							
	36 Junk Wheels	2		84 Wall Vent	1							
PICNIC TABLE HOUSE	37 Legs	4		85 Meter Box	2							
	38 Painter	1		86 Tank Access Hatch	1							
PAINTER & LADDER	39 Ladder Back Half	1		87 Pipe	1							
	40 Ladder Front Half	1		88 Cinder Blocks on Skid	1							
FRUIT STAND	41 Roof	1		89 Tractor Tires w/o Wheels	12							
	42 Man Sitting on Crate	1		90 Single Tires	5							
	43 Man Standing	1		91 Large Awning	1							
	44 Sign	1		92 Small Awning	1							
	45 2 Small Crates	1		93 Small Roof Vents	4							
	46 Large Bench of Fruit	1		94 Medium Roof Vents	3							
	47 Bench and Barrel of Fruit	1		95 Large Roof Vents	2							
	48 Barrel of Fruit	1		96 Extra Large Roof Vents	2							
				97 Roof Hatches	8							

*Hydrocal is a U.S. Gypsum registered trademark



**WOODLAND
SCENICS®**

**HO SCALE
STRUCTURE KIT**



VEHICLES, FIGURES, DETAILS AND LANDSCAPE NOT INCLUDED

Kit Contents: 4 Walls, 1 Entry Door, 4 Chimney Backs, 2 Side Panels, 1 sheet Roof Material, 2 Roof Support Materials, 1 sheet Clear Window Material, Instructions

Combination Package Made in USA O5 ©2000 O CO

**#GV1
U.S. POST OFFICE**

**2 3/4 in W x 4 1/16 in D x 4 7/8 in H
(6.98 cm x 10.3 cm x 12.3 cm)**

Manufactured by **WOODLAND®**
PO BOX 98, LINN CREEK, MO 65052
woodlandscenics.com



**WOODLAND
SCENICS®**

Model making product. Not a toy! Not suitable for children under 14 years! /
Produit pour le modélisme. Pas un jouet! Pas adapté aux enfants de moins
de 14 ans! / Producto para modelismo. No es un juguete! No adecuado
para niños menores de 14 años! / Modellbauartikel. Kein Spielzeug! Nicht
geeignet für Kinder unter 14!



MODELING AND CARE INFORMATION: This kit suggests the use of materials that may stain or cause damage. Take care to cover project area and clothing appropriately. Follow recommendations for use and cleanup.



CAUTION: Cutting tools recommended. Use with care.
ACHTUNG: Schneidwerkzeuge empfohlen. Mit
Vorsicht benutzen.

#GV1 U.S. Post Office

INSTRUCTIONS

Follow the enclosed City & Industry Building Set General Instructions. The General Instructions will refer to the drawings and instructions included with this kit. Read through all instructions before beginning construction on your kit.

Chimneys: Sand bottom edge of Chimney Backs x4 (GV1-6) flat. Sand smooth side of Chimney Backs and molded-in Chimney fronts so they fit flush together. Glue together and let dry. When dry, sand top of Chimneys flat.

Entry Door: Cut a piece of Roof Material 4 1/4" x 1" for Overhang Roof. Remove "tabs" from top and bottom of Entry Door (GV1-7) and Side Panels x2 (GV1-8). Score along the indentations with a hobby knife and snap to remove. Be careful to not damage the door frames.

The Side Panels have a shallow angle along one edge and a deeper angle on the other edge. Glue shallow-angled edges to the Door. While glue is flexible, test fit Door Assembly in door opening on Front Wall (GV1-1). When satisfied with fit, glue in place.

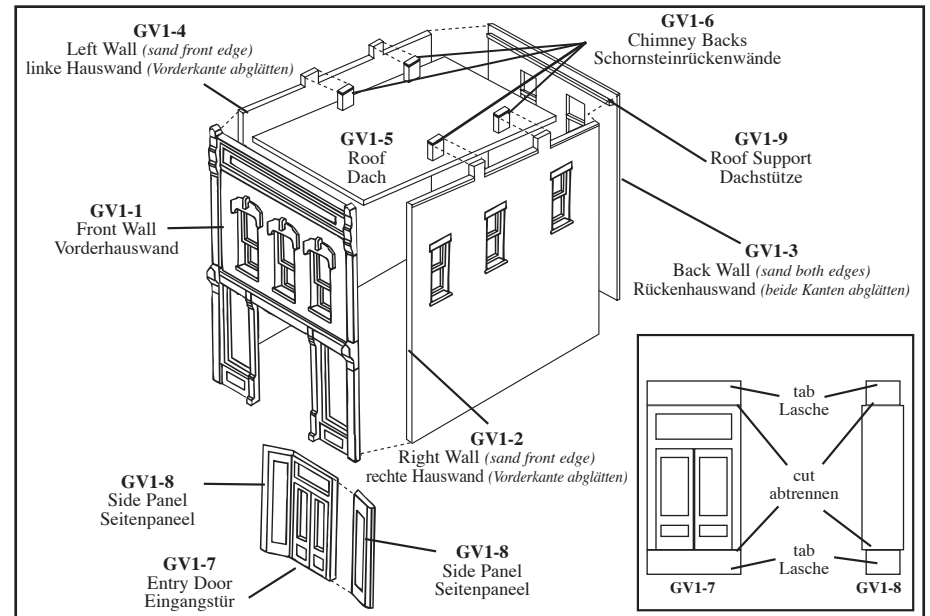
ANWEISUNGEN

Folgen Sie der beigefügten allgemeinen Bauanweisungen für City & Industry Building Set. Diese allgemeine Bauanweisungen bezieht

sich sowohl auf die Montagezeichnung sowie auf die Montageanweisungen, die dem Bausatz beiliegt. Lesen Sie bitte sorgfältig alle zugehörigen Anweisungen vor dem Zusammenbau Ihres Bausatzes gut durch.

Schornsteine: Glätten Sie mit Schmiergelpapier die Unterseite der Schornsteinrückwände x4 (GV1-6) ab. Glätten Sie ebenfalls die ebenen (glatten) Seitenteile der Schornsteinrückwände sowie der eingegesenen Schornsteinvorderseiten ab damit sie bündig zusammenpassen. Zusammenleben und Abbinden lassen. Nach dem Abbinden glätten Sie die Oberkante der Schornsteine ab.

Eingangstür: Schneiden Sie ein Stück Dachmaterial 10,7 cm x 2,54 cm für das Überhangdach. Die angelegten Laschen an der Tür (GV1-7) oben sowie unten, sowie an den Seitenpaneelen x2 (GV1-8) so entfernen. Mit dem Bastelmesser an den Rillen entlangfahren und abbrechen. Achten Sie dabei darauf, dass die Türrahmen nicht beschädigt werden. Die Abwinkelung der Seitenpaneelenkanten ist unterschiedlich. An einer Seite kleinwinkelig, auf der anderen Seite grosswinkelig. Die kleinwinkelligen Seitenpaneelen werden an die Tür angeklebt. Noch bevor dem Abbinden des angebrachten Klebers überprüfen Sie die Passgenauigkeit der Türbaugruppe zur Öffnung in der Vorderwand (GV1-1). Bei vorliegender Passgenauigkeit kleben Sie endgültig die Baugruppe zusammen.

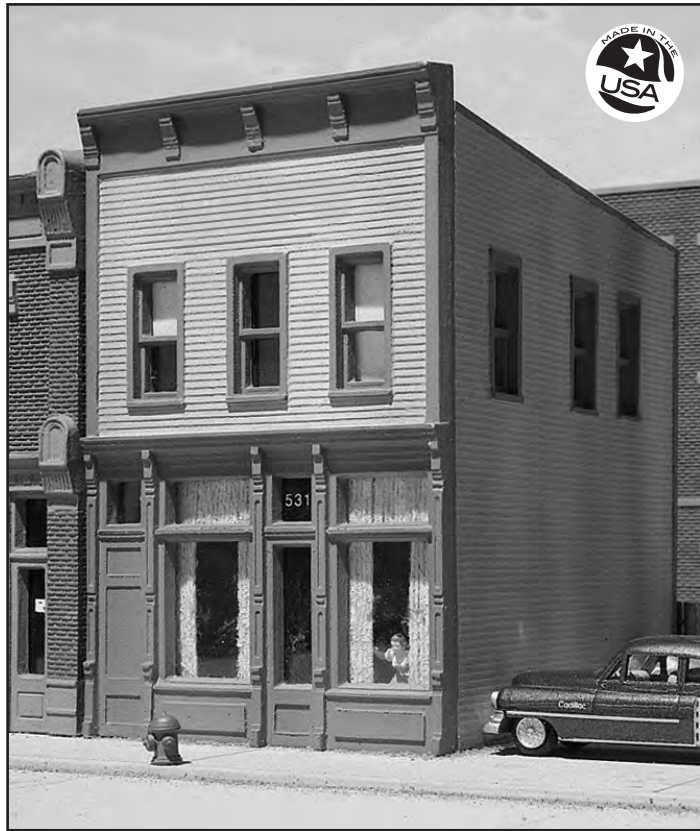


Create interest on your layout. Add lights to your buildings quickly and easily using the Woodland Scenics® Just Plug® Lighting System. Bereichern Sie Ihre Anlage: Mit dem Woodland Scenics Just Plug Beleuchtungssystem lassen sich Gebäude schnell und einfach beleben.



**WOODLAND
SCENICS®**

**HO SCALE
STRUCTURE KIT**



VEHICLES, FIGURES, DETAILS AND DECALS NOT INCLUDED

Kit Contents: 4 Walls, 1 Chimney, 1 sheet Roof Material, 2 Roof Support Materials, 1 sheet Clear Window Material, Instructions

Combination Package Made in USA 05 ©2000 O CO

#GV2 GENERAL STORE

2 3/4 in W x 3 15/16 in D x 4 3/8 in H
(6.98 cm x 10 cm x 11.1 cm)

Manufactured by **WOODLAND®**
PO BOX 98, LINN CREEK, MO 65052
woodlandscenics.com



**WOODLAND
SCENICS®**

Model making product. Not a toy! Not suitable for children under 14 years! /
Produit pour le modélisme. Pas un jouet! Pas adapté aux enfants de moins
de 14 ans! / Producto para modelismo. No es un juguete! No adecuado
para niños menores de 14 años! / Modellbauartikel. Kein Spielzeug! Nicht
geeignet für Kinder unter 14!



MODELING AND CARE INFORMATION: This kit suggests the use of materials that may stain or cause damage. Take care to cover project area and clothing appropriately. Follow recommendations for use and cleanup.



CAUTION: Cutting tools recommended. Use with care. **ACHTUNG:** Schneidwerkzeuge empfohlen. Mit Vorsicht benutzen.

#GV2 General Store

INSTRUCTIONS

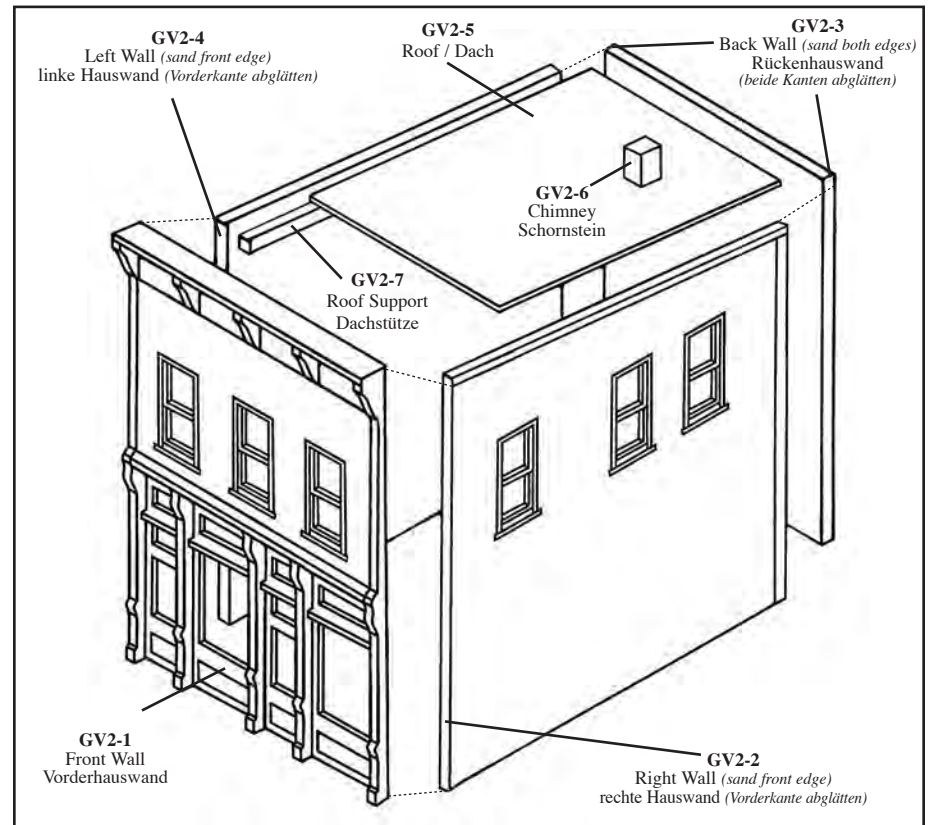
Follow the enclosed City & Industry Building Set General Instructions. The General Instructions will refer to the drawings and instructions included with this kit. Read through all instructions before beginning construction on your kit.

Chimney: Lightly sand bottom of Chimney (GV2-6) and glue to Roof after Roof installation.

ANWEISUNGEN

Folgen Sie der beigefügten allgemeinen Bauanweisungen für City & Industry Building Set. Diese allgemeine Bauanweisungen bezieht sich sowohl auf die Montagezeichnung sowie auf die Montageanweisungen, die dem Bausatz beiliegt. Lesen Sie bitte sorgfältig alle zugehörigen Anweisungen vor dem Zusammenbau Ihres Bausatzes gut durch.

Schornstein: Glätten Sie leicht mit Schmiergelpapier die Unterseite des Schornsteins (GV2-6) und kleben Sie nach Einbau des Dachs den Schornstein darauf.



Create interest on your layout. Add lights to your buildings quickly and easily using the Woodland Scenics® Just Plug® Lighting System. Bereichern Sie Ihre Anlage: Mit dem Woodland Scenics Just Plug Beleuchtungssystem lassen sich Gebäude schnell und einfach beleben.



**WOODLAND
SCENICS®**

**HO SCALE
STRUCTURE KIT**



FIGURES, DETAILS AND LANDSCAPE NOT INCLUDED

Kit Contents: 6 Walls, 1 Chimney, 2 sheets Roof Materials, 4 strips Rafter Material, 1 Ridge Support, 1 sheet Clear Window Material, Instructions

Combination Package Made in USA O5 ©2000 O CO

**#GV3
RAILWAY EXPRESS
AGENCY**

**5 13/16 in W x 4 5/8 in D x 4 1/4 in H
(14.7 cm x 11.7 cm x 10.7 cm)**

Manufactured by **WOODLAND®**
PO BOX 98, LINN CREEK, MO 65052
woodlandscenics.com



**WOODLAND
SCENICS®**

Model making product. Not a toy! Not suitable for children under 14 years! /
Produit pour le modélisme. Pas un jouet! Pas adapté aux enfants de moins
de 14 ans! / Producto para modelismo. No es un juguete! No adecuado
para niños menores de 14 años! / Modellbauartikel. Kein Spielzeug! Nicht
geeignet für Kinder unter 14!



MODELING AND CARE INFORMATION: This kit suggests the use of materials that may stain or cause damage. Take care to cover project area and clothing appropriately. Follow recommendations for use and cleanup.



CAUTION: Cutting tools recommended. Use with care. **ACHTUNG:** Schneidwerkzeuge empfohlen. Mit Vorsicht benutzen.

#GV3 Railway Express Agency

INSTRUCTIONS

Follow the enclosed City & Industry Building Set General Instructions. The General Instructions will refer to the drawings and instructions included with this kit. Read through all instructions before beginning construction on your kit.

Chimney: Lightly sand bottom of Chimney (GV3-6) and glue to Roof after Roof installation.

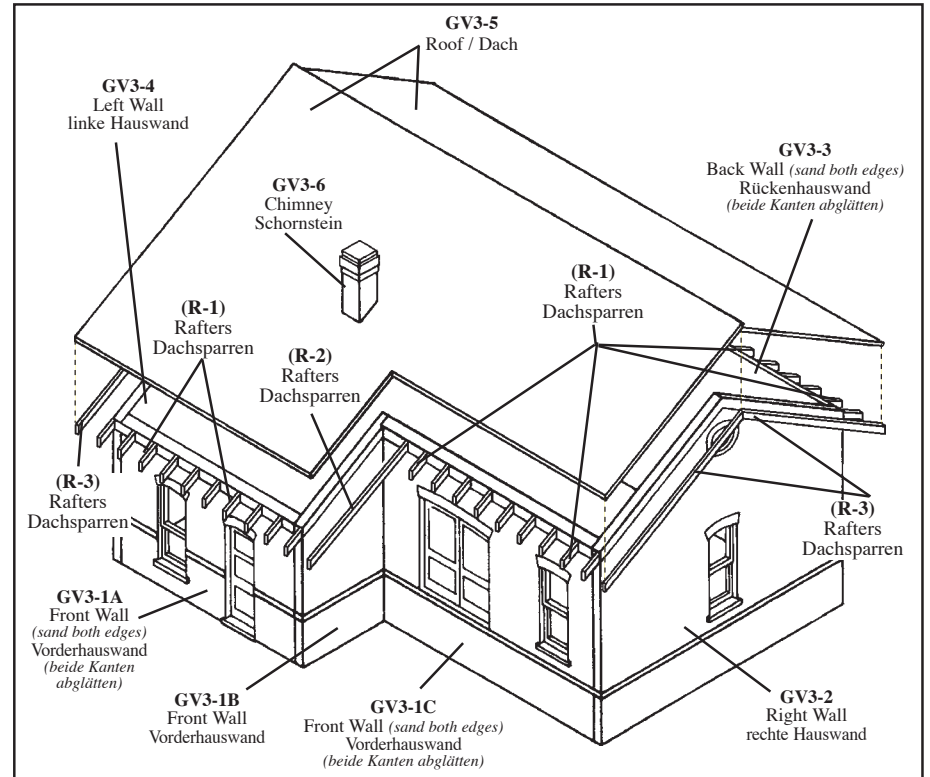
Roof: To assemble Roof (GV3-5), see enclosed Roof Assembly Instructions.

ANWEISUNGEN

Folgen Sie der beigelegten allgemeinen Bauanweisungen für City & Industry Building Set. Diese allgemeine Bauanweisungen bezieht sich sowohl auf die Montagezeichnung sowie auf die Montageanweisungen, die dem Bausatz beiliegt. Lesen Sie bitte sorgfältig alle zugehörigen Anweisungen vor dem Zusammenbau Ihres Bausatzes gut durch.

Schornstein: Glätten Sie leicht mit Schmiergelpapier die Unterseite des Schornsteins (GV3-6) und kleben Sie nach Einbau des Dachs den Schornstein darauf.

Dach: Zur Montage des Dach (GV3-5) siehe beiliegende Dach Montageanweisungen.

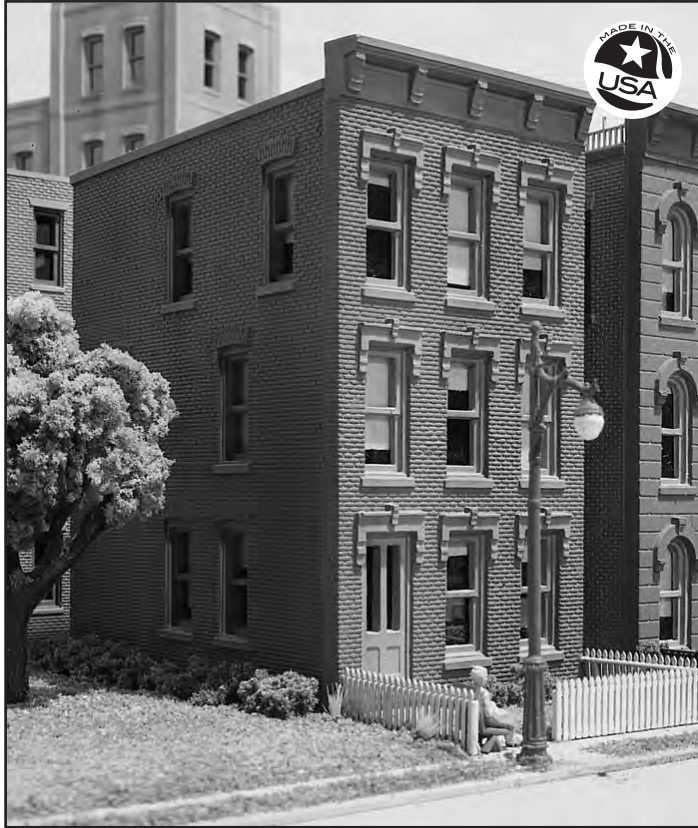


Create interest on your layout. Add lights to your buildings quickly and easily using the Woodland Scenics® Just Plug® Lighting System. Bereichern Sie Ihre Anlage: Mit dem Woodland Scenics Just Plug Beleuchtungssystem lassen sich Gebäude schnell und einfach beleben.



**WOODLAND
SCENICS®**

**HO SCALE
STRUCTURE KIT**



FIGURES, STREETLIGHT, FENCE AND LANDSCAPE NOT INCLUDED

Kit Contents: 4 Walls, 2 Chimneys, 1 sheet Roof Material, 2 Roof Support Materials, 1 Stoop, 1 sheet Clear Window Material, Instructions

Combination Package Made in USA O5 ©2000 O CO

**#GV4
THE VALLEY APTS.**

**2 7/16 in W x 4 1/8 in D x 4 3/4 in H
(6.19 cm x 10.4 cm x 12 cm)**

Manufactured by **WOODLAND®**
PO BOX 98, LINN CREEK, MO 65052
woodlandscenics.com



**WOODLAND
SCENICS®**

Model making product. Not a toy! Not suitable for children under 14 years! /
Produit pour le modélisme. Pas un jouet! Pas adapté aux enfants de moins
de 14 ans! / Producto para modelismo. No es un juguete! No adecuado
para niños menores de 14 años! / Modellbauartikel. Kein Spielzeug! Nicht
geeignet für Kinder unter 14!



MODELING AND CARE INFORMATION: This kit suggests the use of materials that may stain or cause damage. Take care to cover project area and clothing appropriately. Follow recommendations for use and cleanup.



CAUTION: Cutting tools recommended. Use with care. /
ACHTUNG: Schneidwerkzeuge empfohlen. Mit
Vorsicht benutzen.

#GV4 The Valley Apts.

INSTRUCTIONS

Follow the enclosed City & Industry Building Set General Instructions. The General Instructions will refer to the drawings and instructions included with this kit. Read through all instructions before beginning construction on your kit.

Chimneys: Lightly sand bottom of Chimneys x2 (GV4-6). Glue Chimneys to Roof (GV4-5) near edges of Left Wall (GV4-4) and Right Wall (GV4-2) after Roof installation.

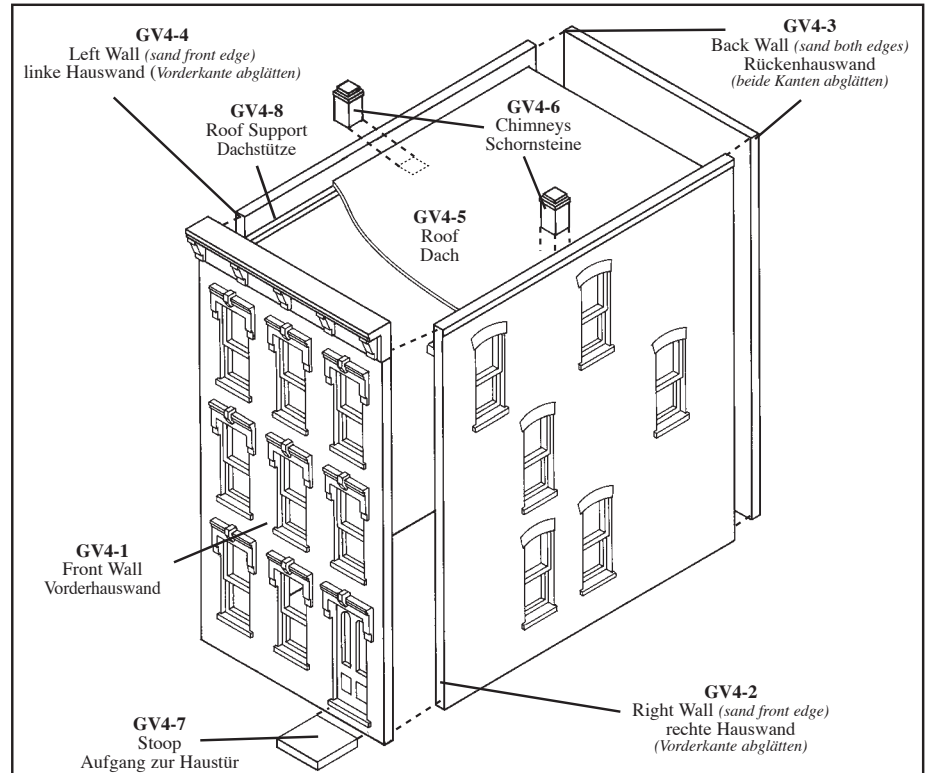
Stoop: When assembly is complete, glue Stoop (GV4-7) in place.

ANWEISUNGEN

Folgen Sie der beigefügten allgemeinen Bauanweisungen für City & Industry Building Set. Diese allgemeine Bauanweisungen bezieht sich sowohl auf die Montagezeichnung sowie auf die Montageanweisungen, die dem Bausatz beiliegt. Lesen Sie bitte sorgfältig alle zugehörigen Anweisungen vor dem Zusammenbau Ihres Bausatzes gut durch.

Schornsteine: Glätten Sie leicht mit Schmiergelpapier die Unterseite des Schornsteine x2 (GV4-6). Kleben Sie die Schornsteine nach der Dachmontage (GV4-5) in der Nähe der Kanten der linken Hauswand (GV4-4) und der rechten Hauswand (GV4-2) auf das Dach.

Aufgang zur Haustür: Nach Fertigstellung des restlichen Zusammenbaus, kleben Sie abschliessend den Aufgang vor der Haustür (GV4-7).

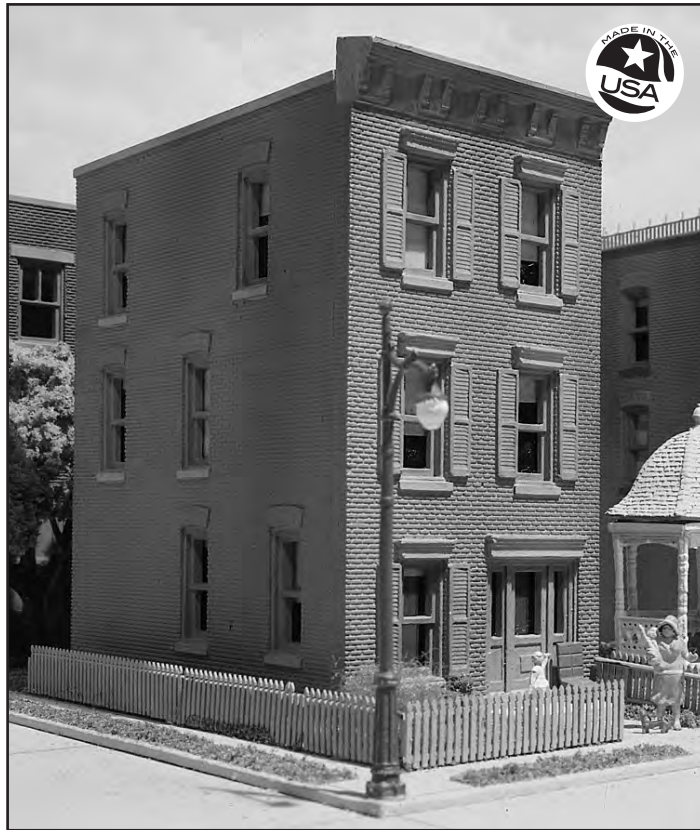


Create interest on your layout. Add lights to your buildings quickly and easily using the Woodland Scenics® Just Plug® Lighting System. Bereichern Sie Ihre Anlage: Mit dem Woodland Scenics Just Plug Beleuchtungssystem lassen sich Gebäude schnell und einfach beleben.



**WOODLAND
SCENICS®**

**HO SCALE
STRUCTURE KIT**



FIGURES, STREETLIGHT, FENCE AND LANDSCAPE NOT INCLUDED

Kit Contents: 4 Walls, 1 Stoop, 2 Chimneys, 1 sheet
Roof Material, 2 Roof Support Materials, 1 sheet
Clear Window Material, Instructions

Combination Package Made in USA O5 ©2000 O CO

#GV5 GRAND HOUSE

2 7/16 in W x 4 1/8 in D x 4 5/8 in H
(6.19 cm x 10.4 cm x 11.7 cm)

Manufactured by **WOODLAND®**
PO BOX 98, LINN CREEK, MO 65052
woodlandscenics.com



**WOODLAND
SCENICS®**

Model making product. Not a toy! Not suitable for children under 14 years! /
Produit pour le modélisme. Pas un jouet! Pas adapté aux enfants de moins
de 14 ans! / Producto para modelismo. No es un juguete! No adecuado
para niños menores de 14 años! / Modellbauartikel. Kein Spielzeug! Nicht
geeignet für Kinder unter 14!



MODELING AND CARE INFORMATION: This kit suggests the use of
materials that may stain or cause damage. Take care to cover project area
and clothing appropriately. Follow recommendations for use and cleanup.



CAUTION: Cutting tools recommended. Use with care.
ACHTUNG: Schneidwerkzeuge empfohlen. Mit
Vorsicht benutzen.

#GV5 Grand House

INSTRUCTIONS

Follow the enclosed City & Industry Building Set General
Instructions. The General Instructions will refer to the drawings
and instructions included with this kit. Read through all
instructions before beginning construction on your kit.

Chimneys: Lightly sand bottom of Chimneys x2 (GV5-6). Glue
Chimneys to Roof (GV5-5) near edges of Left Wall (GV5-4) and
Right Wall (GV5-2) after Roof installation.

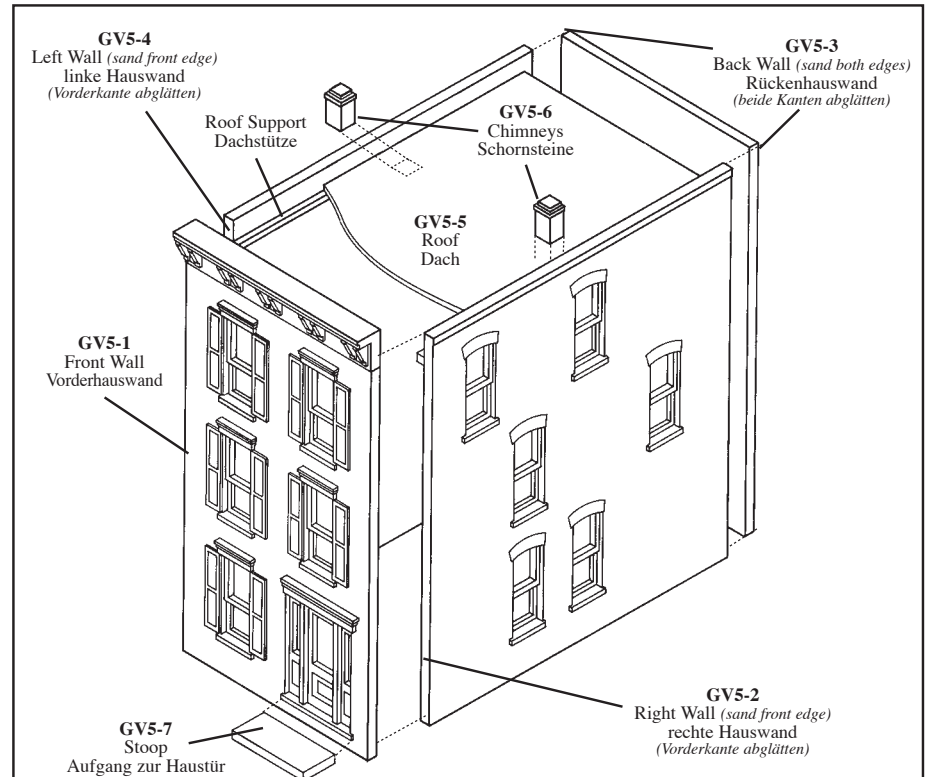
Stoop: When assembly is complete, glue Stoop (GV5-7) in place.

ANWEISUNGEN

Folgen Sie der beigefügten allgemeinen Bauanweisungen für City &
Industry Building Set. Diese allgemeine Bauanweisungen bezieht sich
sowohl auf die Montagezeichnung sowie auf die Montageanweisungen,
die dem Bausatz beiliegt. Lesen Sie bitte sorgfältig alle zugehörigen
Anweisungen vor dem Zusammenbau Ihres Bausatzes gut durch.

Schornsteine: Glätten Sie leicht mit Schmiergelpapier die Unterseite
des Schornsteins x2 (GV5-6). Kleben Sie die Schornsteine nach der
Dachmontage (GV5-5) in der Nähe der Kanten der linken Hauswand
(GV5-4) und der rechten Hauswand (GV5-2) auf das Dach.

Aufgang zur Haustür: Nach Fertigstellung des restlichen Zusammenbaus,
kleben Sie abschliessend den Aufgang vor der Haustür (GV5-7).



Create interest on your layout. Add lights to your buildings quickly and easily using the Woodland Scenics® Just Plug® Lighting System.
Bereichern Sie Ihre Anlage: Mit dem Woodland Scenics Just Plug Beleuchtungssystem lassen sich Gebäude schnell und einfach beleben.



**WOODLAND
SCENICS®**

**HO SCALE
STRUCTURE KIT**



DECALS AND LANDSCAPE NOT INCLUDED

Kit Contents: 8 Walls, 1 Chimney Back, 2 sheets
Roof Material, 2 Roof Support Materials, 1 sheet Clear
Window Material, Instructions

Combination Package Made in USA O5 ©2000 O CO

**#GV6
RHODE'S
WHOLESALE TIRE**

**6 3/32 in W x 5 3/4 in D x 3 1/2 in H
(15.4 cm x 14.6 cm x 8.89 cm)**

Manufactured by **WOODLAND®**
PO BOX 98, LINN CREEK, MO 65052
woodlandscenics.com



**WOODLAND
SCENICS®**

Model making product. Not a toy! Not suitable for children under 14 years! /
Produit pour le modélisme. Pas un jouet! Pas adapté aux enfants de moins
de 14 ans! / Producto para modelismo. No es un juguete! No adecuado
para niños menores de 14 años! / Modellbauartikel. Kein Spielzeug! Nicht
geeignet für Kinder unter 14!



MODELING AND CARE INFORMATION: This kit suggests the use of
materials that may stain or cause damage. Take care to cover project area
and clothing appropriately. Follow recommendations for use and cleanup.



CAUTION: Cutting tools recommended. Use with care.
ACHTUNG: Schneidwerkzeuge empfohlen. Mit
Vorsicht benutzen.

#GV6 Rhode's Wholesale Tire

INSTRUCTIONS

Follow the enclosed City & Industry Building Set General
Instructions. The General Instructions will refer to the drawings
and instructions included with this kit. Read through all
instructions before beginning construction on your kit.

Chimney: Sand bottom edge of Chimney Back (GV6-11) flat.
Sand smooth side of Chimney Back and molded-in Chimney
front so they fit flush. Glue together and let dry. When dry, sand
top of Chimney flat.

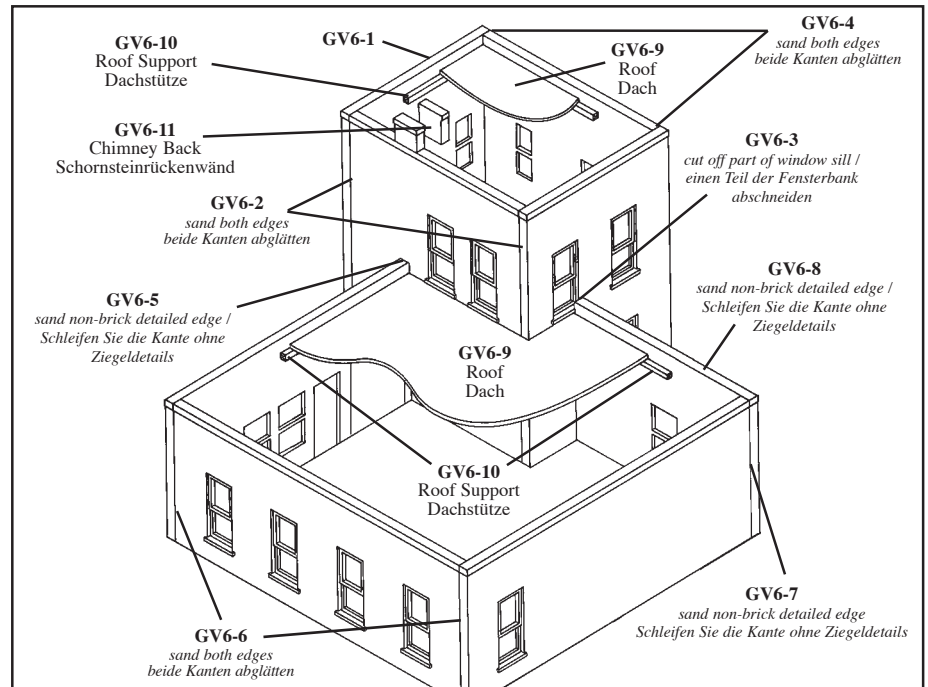
Walls: Glue the four two-story Walls (GV6-1, GV6-2, GV6-3,
GV6-4) together. Then, glue the four one-story Walls (GV6-5,
GV6-6, GV6-7, GV6-8) together. Side Wall (GV6-8) will touch
the window sill on Wall (GV6-3). Cut off part of the window sill
so Walls fit flush. Glue the two Assemblies together as shown.

ANWEISUNGEN

Folgen Sie der beigefügten allgemeinen Bauanweisungen für City &
Industry Building Set. Diese allgemeine Bauanweisungen bezieht sich
sowohl auf die Montagezeichnung sowie auf die Montageanweisungen,
die dem Bausatz beiliegt. Lesen Sie bitte sorgfältig alle zugehörigen
Anweisungen vor dem Zusammenbau Ihres Bausatzes gut durch.

Schornsteinrückwand: Glätten Sie mit Schmiergelpapier die Unterseite
der Schornsteinrückwand (GV6-11) ab. Glätten Sie ebenfalls die ebenen
(glatten) Seitenteile der Schornsteinrückwand sowie der eingegesen-
enen Schornsteinvorderseiten ab damit sie bündig zusammenpassen.
Zusammenleben und Abbinden lassen. Nach dem Abbinden glätten Sie
die Oberkante der Schornsteine ab.

Wände: Kleben Sie die vier zweistöckigen Wände (GV6-1, GV6-2,
GV6-3, GV6-4) zusammen. Kleben Sie dann die vier einstöckigen
Wände (GV6-5, GV6-6, GV6-7, GV6-8) zusammen. Die Seitenwand
(GV6-8) berührt die Fensterbank an der Rückwand (GV6-3). Schneiden
Sie einen Teil der Fensterbank ab, damit die Wände bündig sind. Kleben
Sie die beiden Baugruppen wie gezeigt zusammen.



Create interest on your layout. Add lights to your buildings quickly and easily using the Woodland Scenics® Just Plug® Lighting System.
Bereichern Sie Ihre Anlage: Mit dem Woodland Scenics Just Plug Beleuchtungssystem lassen sich Gebäude schnell und einfach beleben.



**WOODLAND
SCENICS®**

**HO SCALE
STRUCTURE KIT**



VEHICLE, FIGURES, STREETLIGHT, DETAILS AND DECALS NOT INCLUDED

Kit Contents: 4 Walls, 1 Entry Door, 1 Chimney Back, 1 sheet Roof Material, 1 Roof Support Material, 1 sheet Clear Window Material, Instructions

Combination Package Made in USA O5 ©2000 O CO

**#GV7
CORNER PHARMACY**

4 1/4 in W x 2 3/4 in D x 4 1/8 in H
(10.7 cm x 6.98 cm x 10.4 cm)

Manufactured by **WOODLAND®**
PO BOX 98, LINN CREEK, MO 65052
woodlandscenics.com



**WOODLAND
SCENICS®**

Model making product. Not a toy! Not suitable for children under 14 years! / Produit pour le modélisme. Pas un jouet! Pas adapté aux enfants de moins de 14 ans! / Producto para modelismo. No es un juguete! No adecuado para niños menores de 14 años! / Modellbauartikel. Kein Spielzeug! Nicht geeignet für Kinder unter 14!



MODELING AND CARE INFORMATION: This kit suggests the use of materials that may stain or cause damage. Take care to cover project area and clothing appropriately. Follow recommendations for use and cleanup.



CAUTION: Cutting tools recommended. Use with care. **ACHTUNG:** Schneidwerkzeuge empfohlen. Mit Vorsicht benutzen.

#GV7 Corner Pharmacy

INSTRUCTIONS

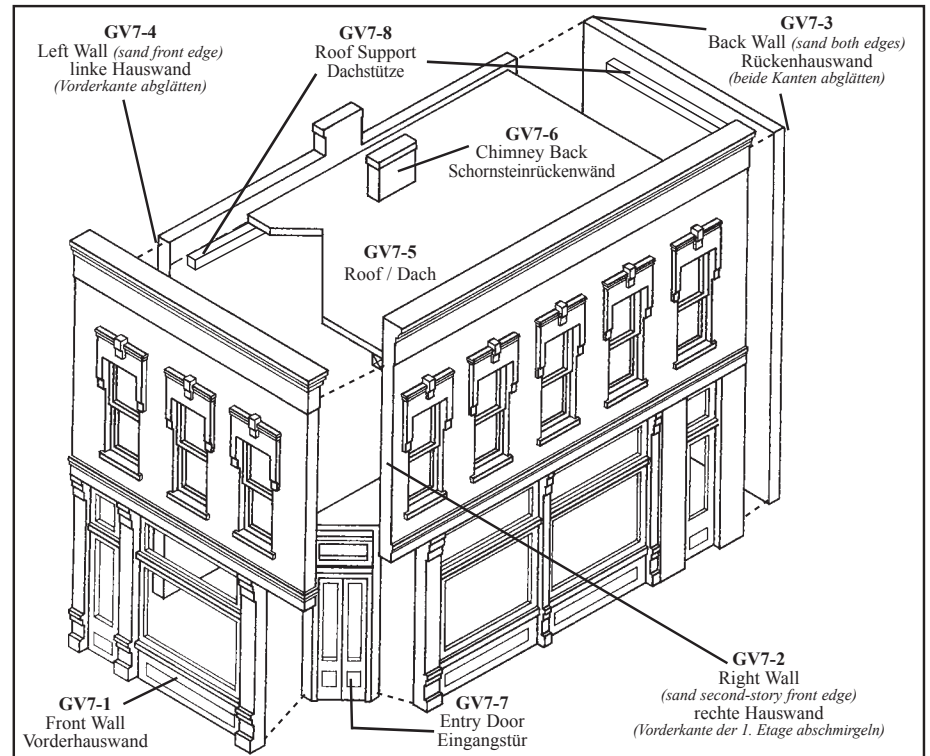
Follow the enclosed City & Industry Building Set General Instructions. The General Instructions will refer to the drawings and instructions included with this kit. Read through instructions before beginning construction.

Chimney Back: Sand bottom edge of Chimney Back (GV7-6) flat. Sand smooth side of Chimney Back and molded-in Chimney front so they fit flush. Glue together and let dry. When dry, sand top of Chimney flat.

ANWEISUNGEN

Folgen Sie der beigeigten allgemeinen Bauanweisungen für City & Industry Building Set. Diese allgemeine Bauanweisungen bezieht sich sowohl auf die Montagezeichnung sowie auf die Montageanweisungen, die dem Bausatz beiliegt. Lesen Sie bitte sorgfältig alle zugehörigen Anweisungen vor dem Zusammenbau Ihres Bausatzes gut durch.

Schornsteinrückwand: Glätten Sie mit Schmiergelpapier die Unterseite der Schornsteinrückwand (GV7-6) so, dass sie ganz flach wird. Glätten Sie ebenfalls die glatte (nichtdetaillierte) Seite der Schornsteinrückwand um die Passgenauigkeit zu den vorgeformten Schornsteinfrontseiten zu sichern. Zusammenkleben und trocknen lassen. Nach dem Trocknen, glätten Sie die Oberseite der Schornstein mit Schmiergelpapier ganz flach.



Create interest on your layout. Add lights to your buildings quickly and easily using the Woodland Scenics® Just Plug® Lighting System. Bereichern Sie Ihre Anlage: Mit dem Woodland Scenics Just Plug Beleuchtungssystem lassen sich Gebäude schnell und einfach beleben.



**WOODLAND
SCENICS®**

**HO SCALE
STRUCTURE KIT**



FIGURES, DECALS AND STREETLIGHT NOT INCLUDED

KIT CONTENTS: 4 Walls, 1 Entry Door, 2 Chimney Backs, 1 Cornice, 1 sheet Roof Material, 1 Roof Support Material, 2 sheets Clear Window Material, Instructions

Combination Package Made in USA O5 ©2000 O CO

**#GV8
GRANNY'S CAFÉ**

4 3/4 in W x 3 in D x 4 1/2 in H
(12 cm x 7.62 cm x 11.4 cm)

Manufactured by **WOODLAND®**
PO BOX 98, LINN CREEK, MO 65052
woodlandscenics.com



**WOODLAND
SCENICS®**

Model making product. Not a toy! Not suitable for children under 14 years! / Produit pour le modélisme. Pas un jouet! Pas adapté aux enfants de moins de 14 ans! / Producto para modelismo. No es un juguete! No adecuado para niños menores de 14 años! / Modellbauartikel. Kein Spielzeug! Nicht geeignet für Kinder unter 14!



MODELING AND CARE INFORMATION: This kit suggests the use of materials that may stain or cause damage. Take care to cover project area and clothing appropriately. Follow recommendations for use and cleanup.



CAUTION: Cutting tools recommended. Use with care. **ACHTUNG:** Schneidwerkzeuge empfohlen. Mit Vorsicht benutzen.

#GV8 Granny's Café

INSTRUCTIONS

Follow the enclosed City & Industry Building Set General Instructions. The General Instructions will refer to the drawings and instructions included with this kit. Read through all instructions before beginning construction on your kit.

Chimney Backs: Sand bottom edge of Chimney Backs (GV8-6) flat. Sand smooth side of Chimney Back and molded-in Chimney front so they fit flush. Glue together and let dry. When dry, sand top of Chimney flat.

Cornice: Cornice is attached to Wall on sprue. The Cornice (GV8-8) fits into slots on Walls (GV8-1) and (GV8-2). For Cornice to fit properly, file right edge of slot on Front Wall (GV8-1) to match left edge on Right Wall (GV8-2). Test fit Cornice and verify brick courses line up. When happy with fit, glue Front Wall (GV8-1) and Right Wall (GV8-2). When glue is set, glue Cornice in place.

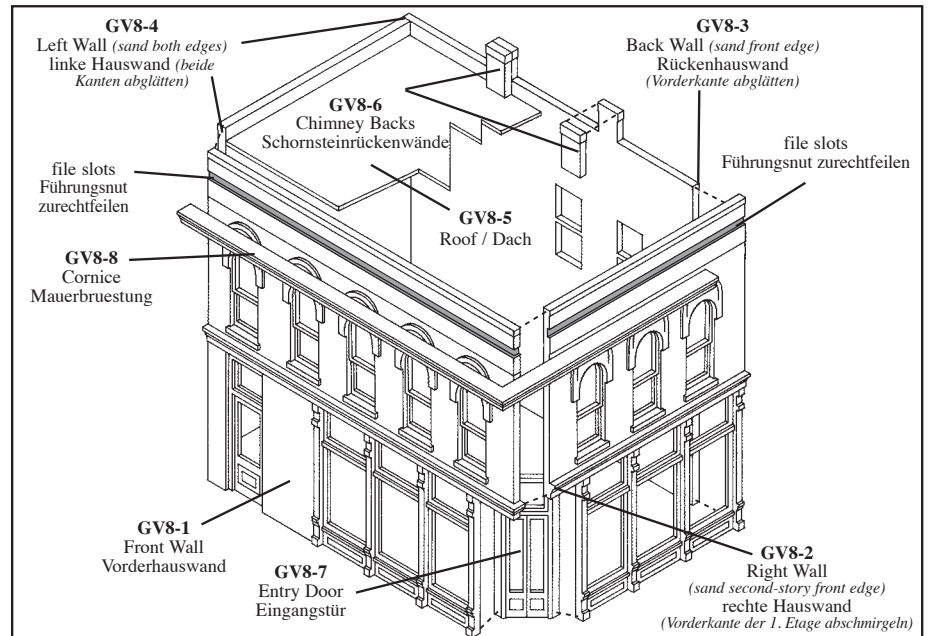
ANWEISUNGEN

Folgen Sie der beigelegten allgemeinen Bauanweisungen für City & Industry Building Set. Diese allgemeine Bauanweisungen beziehen

sich sowohl auf die Montagezeichnung sowie auf die Montageanweisungen, die dem Bausatz beiliegt. Lesen Sie bitte sorgfältig alle zugehörigen Anweisungen vor dem Zusammenbau Ihres Bausatzes gut durch.

Schornsteinerückenwände: Glätten Sie mit Schmiergelpapier die Unterkante der Schornsteinerückenwände (GV8-6) so, dass sie ganz flach wird. Glätten Sie ebenfalls die glatte (nichtdetaillierte) Seite der Schornsteinerückenwände um die Passgenauigkeit zu den vorgeformten Schornsteinfrontseiten zu sichern. Zusammenkleben und trocknen lassen. Nach dem Trocknen, glätten Sie die Oberseite der Schornsteine mit Schmiergelpapier ganz flach.

Gesims: Das Gesims wird an der Wand am Anguss befestigt. Das Gesims (GV8-8) passt in die dafür vorgesehene Nute an den Wänden (GV8-1) sowie (GV8-2). Durch Abfeilen der Nute an der rechten Kante der Vorderwand (GV8-1) sowie an der linken Kante der rechten Wand (GV8-2) kann die Passgenauigkeit des Gesims nach Bedarf erhöht werden. Vor dem endgültigen Zusammenkleben sollte der gute Sitz des Gesims sowie die durchgehende Anreihung um Eck der Backsteinschichten überprüft werden. Nach erfolgter Passgenauigkeitskontrolle zunächst die Vorderwand (GV8-1) mit der rechten Wand (GV8-2) kleben, nach dem Trocknen dann erst das Gesims einkleben.

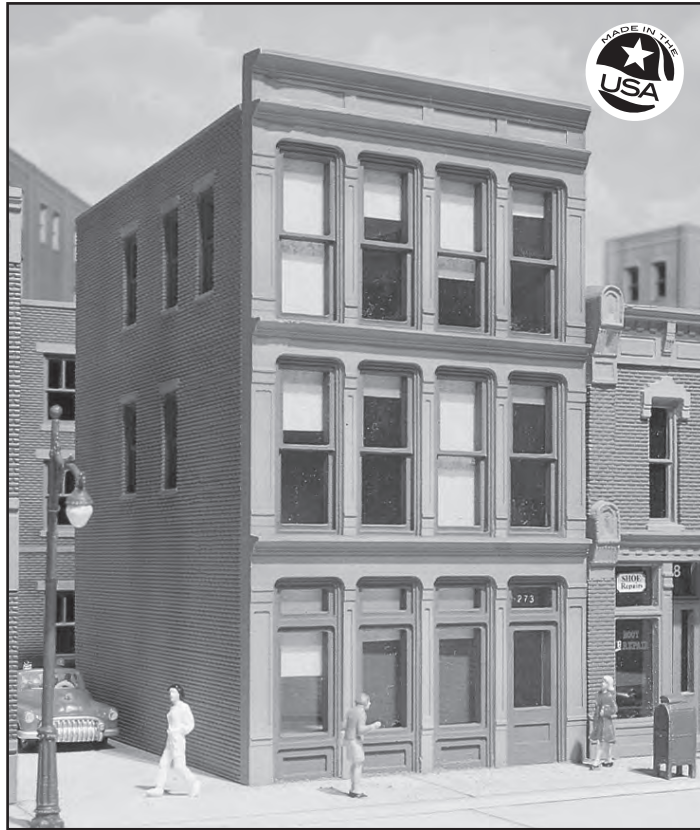


Create interest on your layout. Add lights to your buildings quickly and easily using the Woodland Scenics® Just Plug® Lighting System. Bereichern Sie Ihre Anlage: Mit dem Woodland Scenics Just Plug Beleuchtungssystem lassen sich Gebäude schnell und einfach beleben.



**WOODLAND
SCENICS®**

**HO SCALE
STRUCTURE KIT**



VEHICLE, FIGURES, DETAILS, STREETLIGHT AND DECALS NOT INCLUDED

Kit Contents: 4 Walls, 1 Chimney, 1 sheet Roof Material, 2 Roof Support Materials, 2 sheets Clear Window Material, Instructions

Combination Package Made in USA O5 ©2000 O CO

#GV9 GRAND VALLEY HOTEL

3 in W x 4 3/8 in D x 5 1/2 in H
(7.62 cm x 11.1 cm x 13.9 cm)

Manufactured by **WOODLAND®**
PO BOX 98, LINN CREEK, MO 65052
woodlandscenics.com



**WOODLAND
SCENICS®**

Model making product. Not a toy! Not suitable for children under 14 years! /
Produit pour le modélisme. Pas un jouet! Pas adapté aux enfants de moins
de 14 ans! / Producto para modelismo. No es un juguete! No adecuado
para niños menores de 14 años! / Modellbauartikel. Kein Spielzeug! Nicht
geeignet für Kinder unter 14!



MODELING AND CARE INFORMATION: This kit suggests the use of materials that may stain or cause damage. Take care to cover project area and clothing appropriately. Follow recommendations for use and cleanup.



CAUTION: Cutting tools recommended. Use with care.
ACHTUNG: Schneidwerkzeuge empfohlen. Mit
Vorsicht benutzen.

#GV9 Grand Valley Hotel

INSTRUCTIONS

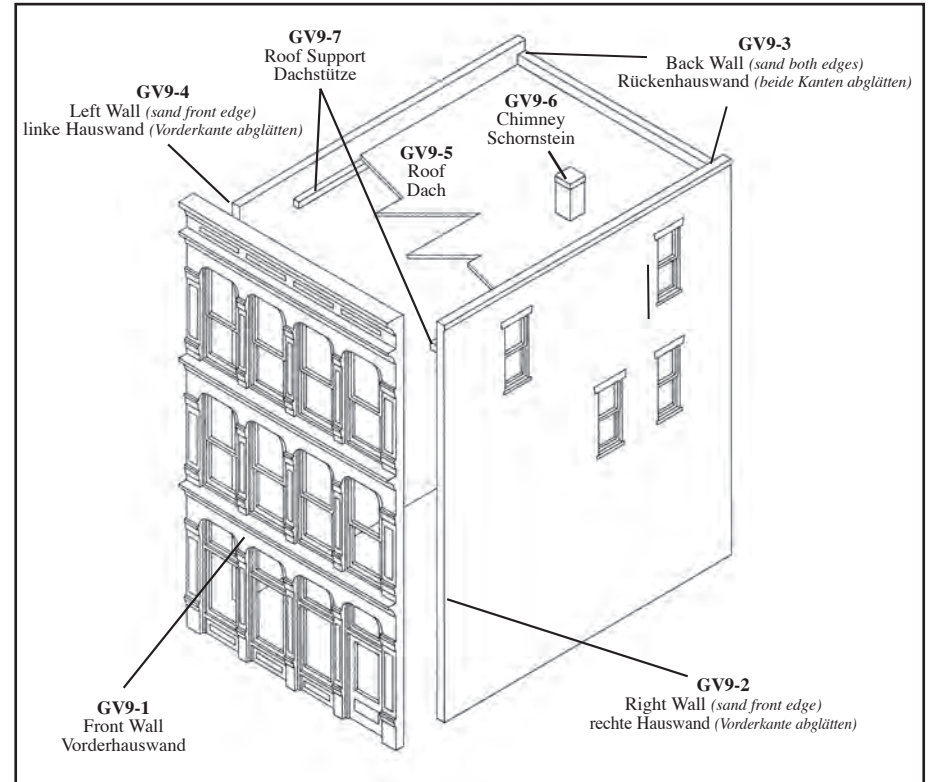
Follow the enclosed City & Industry Building Set General Instructions. General Instructions will refer to the drawings and instructions included with this kit. Read through all instructions before beginning construction on your kit.

Chimney: Lightly sand bottom of Chimney (GV9-6) and glue to Roof after Roof installation..

ANWEISUNGEN

Folgen Sie der beigefügten allgemeinen Bauanweisungen für City & Industry Building Set. Diese allgemeine Bauanweisungen bezieht sich sowohl auf die Montagezeichnung sowie auf die Montageanweisungen, die dem Bausatz beiliegt. Lesen Sie bitte sorgfältig alle zugehörigen Anweisungen vor dem Zusammenbau Ihres Bausatzes gut durch.

Schornstein: Glätten Sie leicht mit Schmirgelpapier die Unterseite des Schornsteins (GV9-6) und kleben Sie nach Einbau des Dachs den Schornstein darauf.



Create interest on your layout. Add lights to your buildings quickly and easily using the Woodland Scenics® Just Plug® Lighting System.
Bereichern Sie Ihre Anlage: Mit dem Woodland Scenics Just Plug Beleuchtungssystem lassen sich Gebäude schnell und einfach beleben.



**WOODLAND
SCENICS®**

**HO SCALE
STRUCTURE KIT**



FIGURES, DETAILS, DECALS AND LANDSCAPE NOT INCLUDED

Kit Contents: 4 Walls, 2 Entry Doors, 2 Dock Doors, 8 Windows, 1 Chimney, 1 sheet Roof Material, 1 Roof Support Material, 1 sheet Clear Window Material, Instructions

Combination Package Made in USA O5 ©2000 O CO

**#GV10
WOODY'S CUSTOM
CABINETS**

2 7/8 in W x 4 13/16 in D x 2 3/4 in H
(7.3 cm x 12.2 cm x 6.98 cm)

Manufactured by **WOODLAND®**
PO BOX 98, LINN CREEK, MO 65052
woodlandscenics.com



**WOODLAND
SCENICS®**

Model making product. Not a toy! Not suitable for children under 14 years! /
Produit pour le modélisme. Pas un jouet! Pas adapté aux enfants de moins
de 14 ans! / Producto para modelismo. No es un juguete! No adecuado
para niños menores de 14 años! / Modellbauartikel. Kein Spielzeug! Nicht
geeignet für Kinder unter 14!



MODELING AND CARE INFORMATION: This kit suggests the use of materials that may stain or cause damage. Take care to cover project area and clothing appropriately. Follow recommendations for use and cleanup.



CAUTION: Cutting tools recommended. Use with care.
ACHTUNG: Schneidwerkzeuge empfohlen. Mit
Vorsicht benutzen.

#GV10 Woody's Custom Cabinets

INSTRUCTIONS

Follow the enclosed City & Industry Building Set General Instructions. The General Instructions will refer to the drawings and instructions included with this kit. Read through all instructions before beginning construction on your kit.

Chimney: Lightly sand bottom of Chimney (GV10-5) and glue to Roof after Roof installation.

Doors and Windows: Remove Doors and Windows from sprue. Paint them as desired (following General Instructions). Cut Clear Window Material to cover back of window frames and then glue it to the window frames. Take care that glue does not squeeze onto Clear Material where visible. "Flash" occurring inside of openings may have to be removed by scraping lightly with a hobby knife. Glue Door and Window assemblies in place.

Roof: To assemble Gable Roof (GV10-6), see enclosed Roof Assembly Instructions.

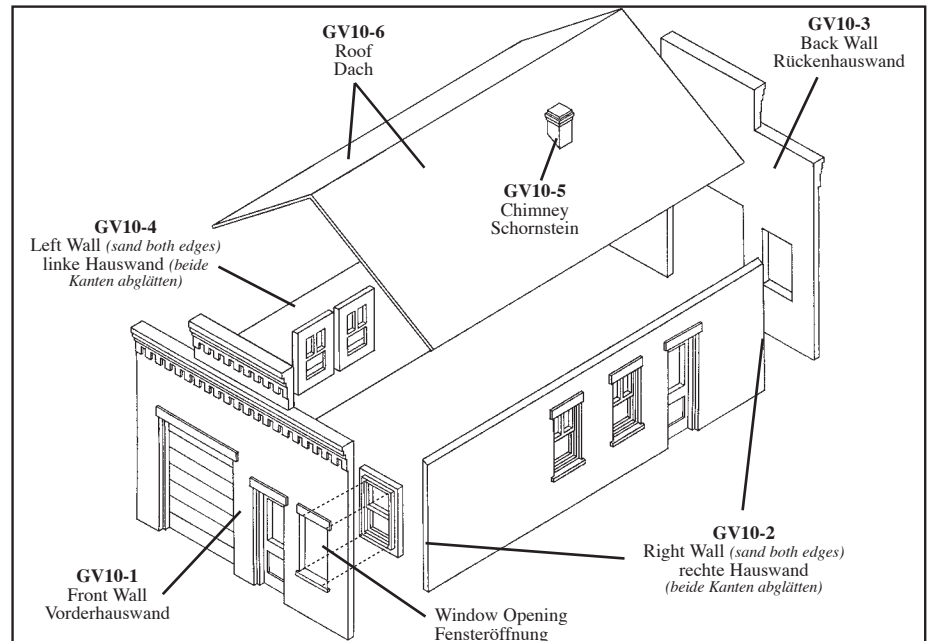
ANWEISUNGEN

Folgen Sie der beigefügten allgemeinen Bauanweisungen für City & Industry Building Set. Diese allgemeine Bauanweisungen bezieht sich sowohl auf die Montagezeichnung sowie auf die Montageanweisungen, die dem Bausatz beiliegt. Lesen Sie bitte sorgfältig alle zugehörigen Anweisungen vor dem Zusammenbau Ihres Bausatzes gut durch.

Schornstein: Glätten Sie leicht mit Schmiergelpapier die Unterseite des Schornsteins (GV10-5) und kleben Sie nach Einbau des Dachs den Schornstein darauf.

Türe und Fenster: Entfernen Sie vom Anguss die Tür- und Fensterteile. Diese können nach Wunsch farblich behandelt werden (der allgemeinen Bauanweisungen befolgen). Klarsichtfolienteile so aus- bzw. zurechtschneiden, dass sie die Fensterrahmen-Rückseite jeweils ganz bedecken. Beim Aufkleben der Folienteile auf die Fensterrückseite darauf achten, dass der Klebstoff nicht hindurch zur Sichtlichkeit läuft. Eventuelle Gratreste sorgfältig durch Abkratzen mit einem Hobbymesser entfernen. Abschliessend kleben Sie die kompletten Fenster- sowie Türteile an den entsprechenden Stellen.

Dach: Zur Montage des Giebeldaches (GV10-6) siehe beiliegende Dachmontageanweisungen.

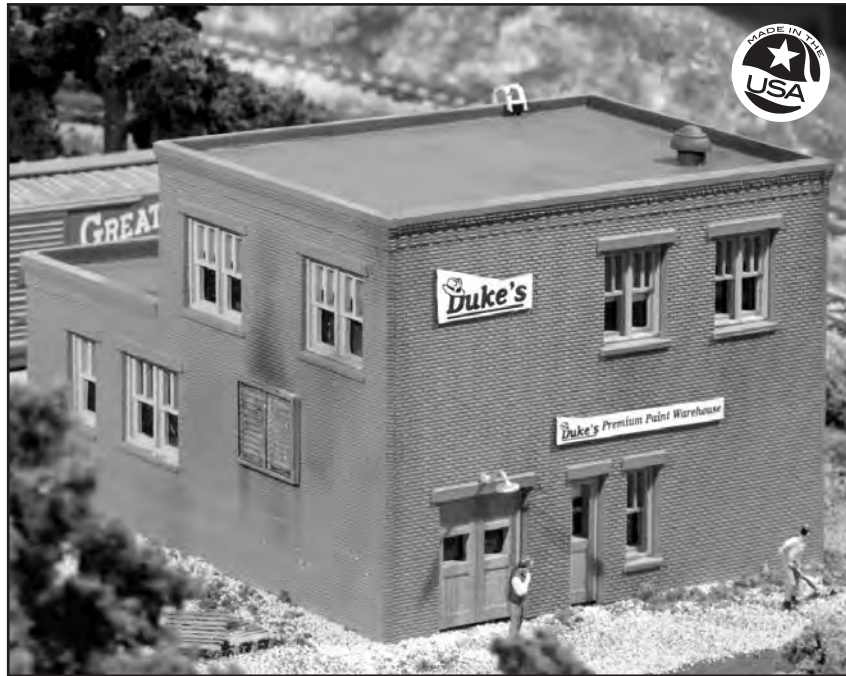


Create interest on your layout. Add lights to your buildings quickly and easily using the Woodland Scenics® Just Plug® Lighting System. Bereichern Sie Ihre Anlage: Mit dem Woodland Scenics Just Plug Beleuchtungssystem lassen sich Gebäude schnell und einfach beleben.



**WOODLAND
SCENICS®**

**HO SCALE
STRUCTURE KIT**



FIGURES, DETAILS, DECALS AND LANDSCAPE NOT INCLUDED

Kit Contents: 5 Walls, 2 Entry Doors, 2 Dock Doors,
12 Double Windows, 6 Single Windows, 1 Chimney,
1 sheet Roof Material, 2 Roof Support Materials,
1 sheet Clear Window Material, Instructions

Combination Package Made in USA O5 ©2000 O CO

**#GV11
DUKE'S**

4 7/8 in W x 5 7/16 in D x 3 3/4 in H
(12.3 cm x 13.8 cm x 9.52 cm)

Manufactured by **WOODLAND®**
PO BOX 98, LINN CREEK, MO 65052
woodlandscenics.com



**WOODLAND
SCENICS®**

Model making product. Not a toy! Not suitable for children under 14 years! /
Produit pour le modélisme. Pas un jouet! Pas adapté aux enfants de moins
de 14 ans! / Producto para modelismo. No es un juguete! No adecuado
para niños menores de 14 años! / Modellbauartikel. Kein Spielzeug! Nicht
geeignet für Kinder unter 14!



MODELING AND CARE INFORMATION: This kit suggests the use of
materials that may stain or cause damage. Take care to cover project area
and clothing appropriately. Follow recommendations for use and cleanup.



CAUTION: Cutting tools recommended. Use with care.
ACHTUNG: Schneidwerkzeuge empfohlen. Mit
Vorsicht benutzen.

#GV11 Duke's

INSTRUCTIONS

Follow the enclosed City & Industry Building Set General Instructions. The General Instructions will refer to the drawings and instructions included with this kit. Read through all instructions before beginning construction on your kit.

Chimneys: Lightly sand bottom of Chimney (GV11-6) and glue to Roof after Roof installation.

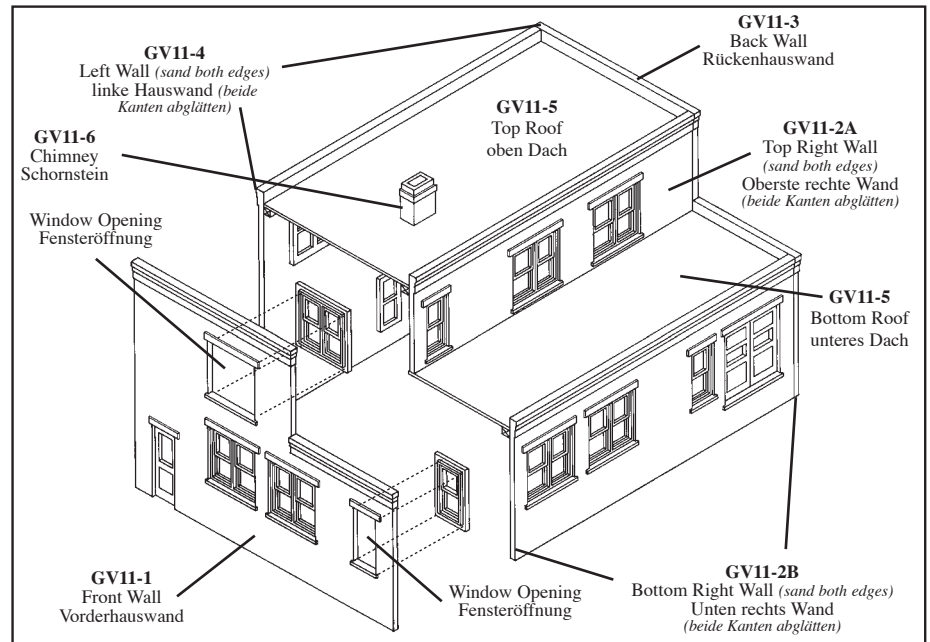
Doors and Windows: Remove Doors and Windows from sprue. Paint them as desired (following General Instructions). Cut Clear Window Material to cover back of window frames and then glue it to window frames. Take care that glue does not squeeze onto Clear Window Material where visible. "Flash" occurring inside of openings may have to be removed by scraping lightly with a hobby knife. Glue Door and Window assemblies in place.

ANWEISUNGEN

Folgen Sie der beigeigten allgemeinen Bauanweisungen für City & Industry Building Set. Diese allgemeine Bauanweisungen bezieht sich sowohl auf die Montagezeichnung sowie auf die Montageanweisungen, die dem Bausatz beiliegt. Lesen Sie bitte sorgfältig alle zugehörigen Anweisungen vor dem Zusammenbau Ihres Bausatzes gut durch.

Schornsteine: Glätten Sie leicht mit Schmirgelpapier die Unterseite des Schornsteins (GV11-6) und kleben Sie nach Einbau des Dachs den Schornstein darauf.

Türe und Fenster: Entfernen Sie vom Anguss die Tür- und Fensterteile. Diese können nach Wunsch farblich behandelt werden (der allgemeinen Bauanweisungen befolgen). Klarsichtfolienteile so aus- bzw. zurechtschneiden, dass sie die Fensterrahmen-Rückseite jeweils ganz bedecken. Beim Aufkleben der Folienteile auf die Fensterrückseite darauf achten, dass der Klebstoff nicht hindurch zur Sichtlichkeit läuft. Eventuelle Gratreste sorgfältig durch Abkratzen mit einem Hobbymesser entfernen. Abschliessend kleben Sie die kompletten Fenster- sowie Türteile an den entsprechenden Stellen.

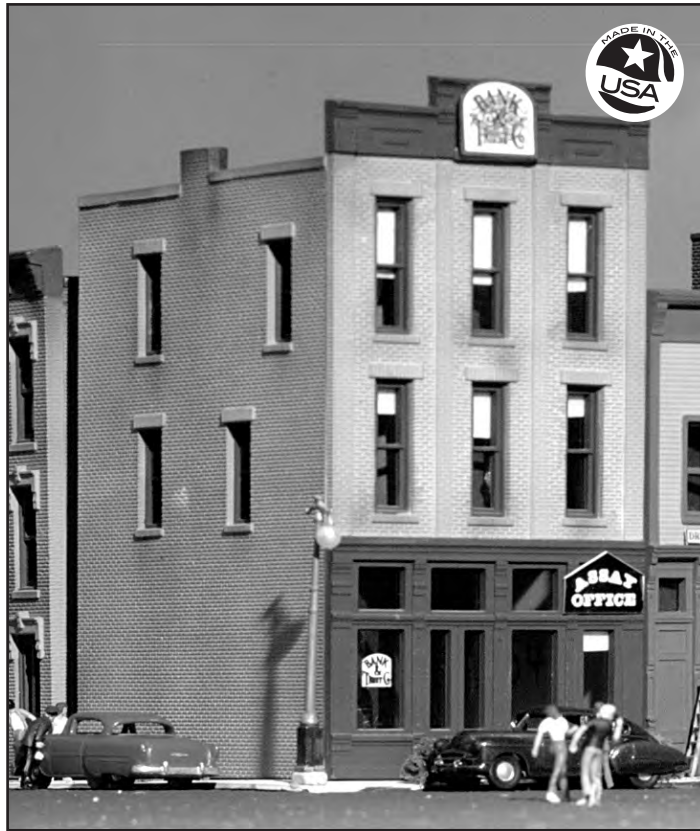


Create interest on your layout. Add lights to your buildings quickly and easily using the Woodland Scenics® Just Plug® Lighting System.
Bereichern Sie Ihre Anlage: Mit dem Woodland Scenics Just Plug Beleuchtungssystem lassen sich Gebäude schnell und einfach beleben.



**WOODLAND
SCENICS®**

**HO SCALE
STRUCTURE KIT**



VEHICLES, FIGURES, DETAILS, DECALS, STREETLIGHT AND LANDSCAPE NOT INCLUDED

Kit Contents: 5 Walls, 1 Back Door, 1 Cornice,
2 Chimney Backs, 18 Windows, 1 sheet Roof Material,
1 sheet Clear Window Material, Instructions

Combination Package Made in USA O5 ©2000 O CO

**#GV12
BANK & TRUST CO.**

**3 1/16 in W x 4 3/8 in D x 6 in H
(7.77 cm x 11.1 cm x 15.2 cm)**

Manufactured by **WOODLAND®**
PO BOX 98, LINN CREEK, MO 65052
woodlandscenics.com



**WOODLAND
SCENICS®**

Model making product. Not a toy! Not suitable for children under 14 years! /
Produit pour le modélisme. Pas un jouet! Pas adapté aux enfants de moins
de 14 ans! / Producto para modelismo. No es un juguete! No adecuado
para niños menores de 14 años! / Modellbauartikel. Kein Spielzeug! Nicht
geeignet für Kinder unter 14!



MODELING AND CARE INFORMATION: This kit suggests the use of materials that may stain or cause damage. Take care to cover project area and clothing appropriately. Follow recommendations for use and cleanup.



CAUTION: Cutting tools recommended. Use with care.
ACHTUNG: Schneidwerkzeuge empfohlen. Mit
Vorsicht benutzen.

#GV12 Bank & Trust Co.

INSTRUCTIONS

Follow the enclosed City & Industry Building Set General Instructions. The General Instructions will refer to the drawings and instructions included with this kit. Read through all instructions before beginning construction on your kit.

Chimneys: Lightly sand bottom edge of all Chimney Backs (GV12-5) flat. Sand smooth sides of Chimney Backs and mold-in Chimney fronts so they fit flush together. Glue together and let dry. When dry, sand tops of Chimneys flat. **NOTE:** Glue Roof to bottoms of Chimney Backs.

Building Front: Sand top edge of GV12-A, bottom edge of GV12-B, and top and bottom edge of GV12-1. Test fit until pieces set flush with each other. When pieces align properly, glue in place.

Door and Windows: Remove Door and Windows from sprue. Paint them as desired (following General Instructions). Cut Clear Window Material to cover backs of window frames then glue to window frames. Take care that glue does not squeeze onto Clear Window Material where visible. "Flash" occurring inside of openings may have to be removed by scraping lightly with a hobby knife. Glue Door and Window assemblies in place.

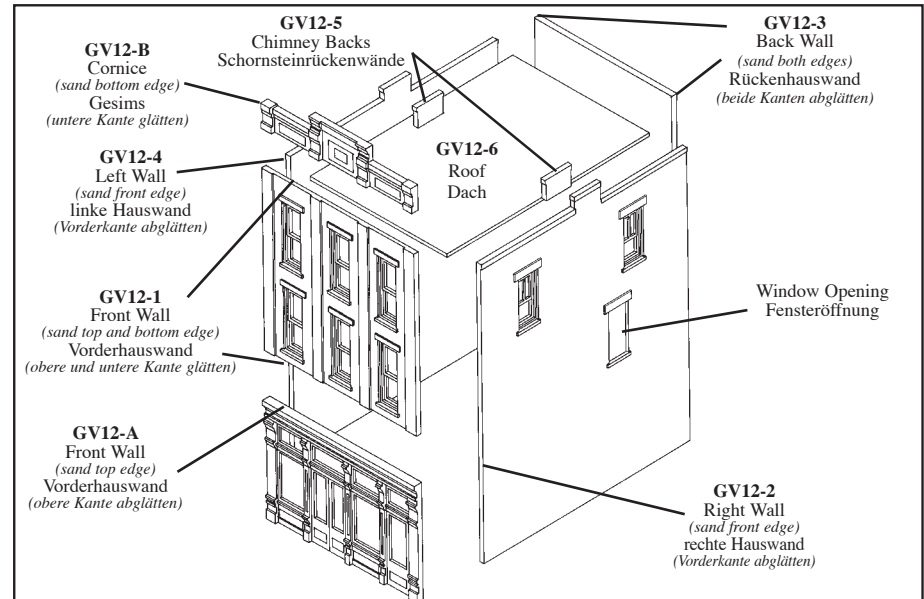
ANWEISUNGEN

Folgen Sie der beigefügten allgemeinen Bauanweisungen für City & Industry Building Set. Diese allgemeine Bauanweisungen bezieht sich sowohl auf die Montagezeichnung sowie auf die Montageanleitung, die dem Bausatz beiliegt. Lesen Sie bitte sorgfältig alle zugehörigen Anweisungen vor dem Zusammenbau Ihres Bausatzes gut durch.

Schornsteine: Unterkannte aller Schornsteinrückwände (GV12-5) flach abschleifen. Schmirgeln Sie die glatten Seiten der Schornsteinrückwände und die eingegossenen Schornsteinrückwände so, dass sie bündig zusammenpassen. Zusammenkleben und trocknen lassen. Wenn sie trocken sind, schleifen Sie die Schornsteine oben glatt ab. **HINWEIS:** Kleben Sie das Dach auf die Unterseite der Schornsteinrückwände.

Vorderwandteile: Obere Kante GV12-A, untere Kante GV12-B und obere und untere Kante GV12-1 abschleifen. Testen Sie die Passform, bis die Teile miteinander bündig sind. Wenn die Teile richtig ausgerichtet sind, kleben Sie sie fest.

Türe und Fenster: Entfernen Sie von Anguss die Fensterteile und Türe. Diese können nach Wunsch farblich behandelt werden (der allgemeinen Bauanleitung befolgen). Klarsichtfolienteile so aus- bzw. zurechtschneiden, dass sie die Fensterrahmen-Rückseite jeweils ganz bedecken. Beim Aufkleben der Folienteile auf die Fensterrückseite darauf achten, dass der Klebstoff nicht hindurch zur Sichtlichkeit läuft. Eventuelle Gratreste sorgfältig durch Abkratzen mit einem Hobbymesser entfernen. Abschließend kleben Sie die kompletten Fenster- sowie Türteile an den entsprechenden Stellen.



Create interest on your layout. Add lights to your buildings quickly and easily using the Woodland Scenics® Just Plug® Lighting System. Bereichern Sie Ihre Anlage: Mit dem Woodland Scenics Just Plug Beleuchtungssystem lassen sich Gebäude schnell und einfach beleben.



**WOODLAND
SCENICS®**

**HO SCALE
STRUCTURE KIT**



FIGURES, DETAILS AND LANDSCAPE NOT INCLUDED

Kit Contents: 7 Walls, 4 Roof Panels, 1 Front Porch Roof and Floor, 1 Back Porch Roof and Floor, 1 Chimney and Skirt, 1 sheet Clear Window Material, Instructions

Combination Package Made in USA O5 ©2000 O CO

**#GV13
GRETEL'S COTTAGE**

**3 3/4 in W x 3 7/16 in D x 2 7/8 in H
(9.52 cm x 8.73 cm x 7.3 cm)**

Manufactured by **WOODLAND®**
PO BOX 98, LINN CREEK, MO 65052
woodlandscenics.com



**WOODLAND
SCENICS®**

Model making product. Not a toy! Not suitable for children under 14 years! /
Produit pour le modélisme. Pas un jouet! Pas adapté aux enfants de moins
de 14 ans! / Producto para modelismo. No es un juguete! No adecuado
para niños menores de 14 años! / Modellbauartikel. Kein Spielzeug! Nicht
geeignet für Kinder unter 14!



MODELING AND CARE INFORMATION: This kit suggests the use of materials that may stain or cause damage. Take care to cover project area and clothing appropriately. Follow recommendations for use and cleanup.



CAUTION: Cutting tools recommended. Use with care.
ACHTUNG: Schneidwerkzeuge empfohlen. Mit
Vorsicht benutzen.

#GV13 Gretel's Cottage

INSTRUCTIONS

Follow the enclosed City & Industry Building Set General Instructions. The General Instructions will refer to the drawings and instructions included with this kit. Read through all instructions before beginning construction on your kit.

Wall Assembly (Fig. 1): Butt ends of Walls GV13-4 and GV13-6 to back of GV13-5 and glue in place. Butt back of Wall GV13-7 to ends of Walls GV13-4 and GV13-6. Butt back of Wall GV13-2 to ends of Walls GV13-1 and GV13-3. Glue in place. Glue Walls GV13-1 and GV13-3 in grooves in Wall GV13-4.

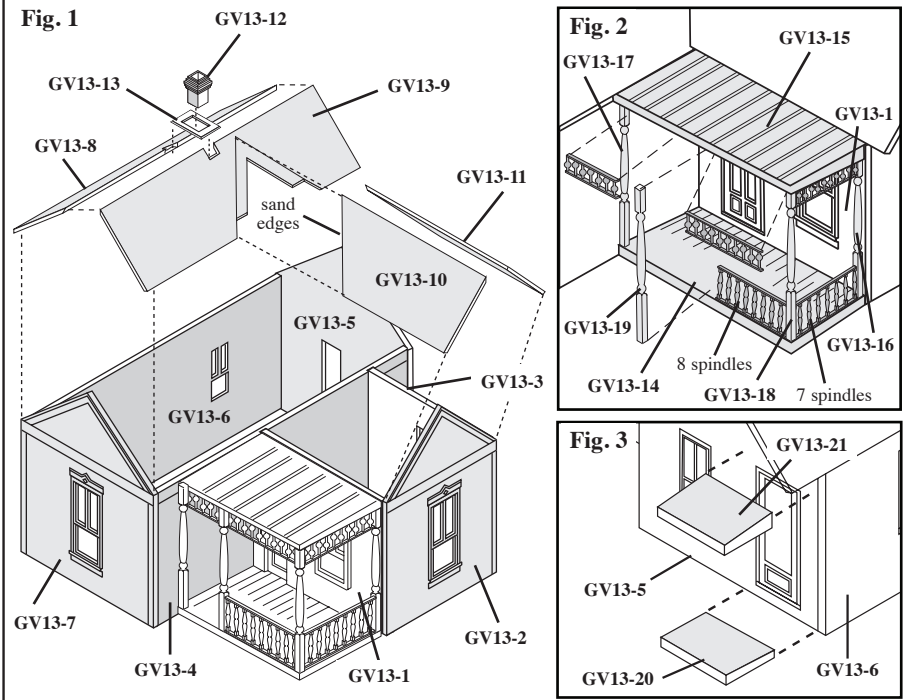
Roof and Chimney Assembly (Fig. 1): Test fit Roof parts on building before gluing. Glue Roof Panels GV13-8 and GV13-9 together at peak so that they lay evenly on walls. Glue Roof Panels GV13-10 and GV-11 together and test fit in the "V" groove then glue in place. Glue Roof assembly onto building. Insert Chimney GV13-12 in Skirt GV13-13. Position Chimney (with Skirt) in chimney opening. Bend

Skirt down to fit flush with peak in Roof. If needed, file inside of Skirt until Skirt fits flush over peak of Roof and Chimney sits level in chimney opening. Glue Chimney and Skirt in place on Roof.

Front Porch Assembly (Fig. 2): Test fit all Porch pieces. Notch or trim pieces as needed to fit flush with walls and trim. Bend Porch Posts straight, if curved. Glue Front Porch Floor GV13-14 flush with bottom edge of Walls. Using Porch Posts as a height guide, glue Front Porch Roof GV13-15 to Wall GV13-1.

Glue Porch Posts GV13-16 and GV13-17 in place flush against Walls. Glue Post GV13-18 on corner of porch. Then, trim Porch Railing to fit flush between Posts, as shown. Trim Porch Cornices to fit between Porch Posts, then glue in place. Install Post GV13-19 last, as shown.

Back Porch Assembly (Fig. 3): Glue Back Porch Floor GV13-20 and Roof GV13-21 to Wall GV13-5, as shown.



Create interest on your layout. Add lights to your buildings quickly and easily using the Woodland Scenics® Just Plug® Lighting System.
Bereichern Sie Ihre Anlage: Mit dem Woodland Scenics Just Plug Beleuchtungssystem lassen sich Gebäude schnell und einfach beleben.



**WOODLAND
SCENICS®**

**HO SCALE
STRUCTURE KIT**



FIGURES, DETAILS, TRACK AND LANDSCAPE NOT INCLUDED

Kit Contents: 7 walls, 3 Roof Sections, 4 Chimney Halves, 8 Roof Brackets, 2 Roof Gables, 1 sheet Clear Window Material, Instructions

Combination Package Made in USA O5 ©2000 O CO



MODELING AND CARE INFORMATION: This kit suggests the use of materials that may stain or cause damage. Take care to cover project area and clothing appropriately. Follow recommendations for use and cleanup.



CAUTION: Cutting tools recommended. Use with care.
ACHTUNG: Schneidwerkzeuge empfohlen. Mit Vorsicht benutzen.

**#GV14
GRAND VALLEY DEPOT**

5 3/8 in W x 3 3/8 in D x 3 1/4 in H
(13.6 cm x 8.57 cm x 8.25 cm)

Manufactured by **WOODLAND®**
PO BOX 98, LINN CREEK, MO 65052
woodlandscenics.com



**WOODLAND
SCENICS®**

Model making product. Not a toy! Not suitable for children under 14 years! /
Produit pour le modélisme. Pas un jouet! Pas adapté aux enfants de moins
de 14 ans! / Producto para modelismo. No es un juguete! No adecuado
para niños menores de 14 años! / Modellbauartikel. Kein Spielzeug! Nicht
geeignet für Kinder unter 14!

#GV14 Grand Valley Depot

INSTRUCTIONS

Follow the enclosed City & Industry Building Set General Instructions. The General Instructions will refer to the drawings and instructions included with this kit. Read through all instructions before beginning construction on your kit.

Chimney: Lightly sand bottom of Chimney (GV14-10) and glue to Roof after Roof installation.

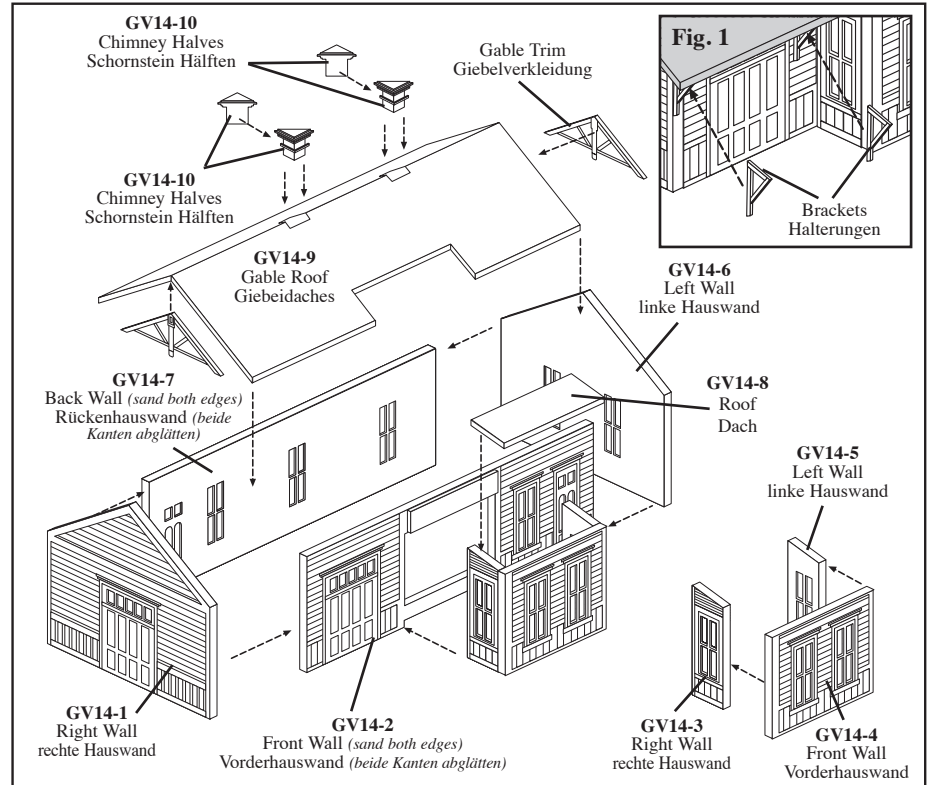
Roof: Match beveled edges of Gable Roof (GV14-9) sections and glue. Glue Gable Trim underneath and flush with edges. Install Gable Roof on building. Test fit Roof (GV14-8) on Walls, matching the direction of the shingles. Sand to fit if needed, then glue. Glue brackets under roof, as shown (Fig. 1).

ANWEISUNGEN

Folgen Sie der beigefügten allgemeinen Bauanweisungen für City & Industry Building Set. Diese allgemeine Bauanweisungen bezieht sich sowohl auf die Montagezeichnung sowie auf die Montageanleitung, die dem Bausatz beiliegt. Lesen Sie bitte sorgfältig alle zugehörigen Anweisungen vor dem Zusammenbau Ihres Bausatzes gut durch.

Schornsteine: Glätten Sie leicht mit Schmiergelpapier die Unterseite des Schornsteine (GV14-10) und kleben Sie nach Einbau des Dachs den Schornstein darauf.

Dach: Passen Sie die abgeschrägten Kanten der Giebeldach Abschnitte (GV 14-9) an und kleben Sie sie zusammen. Giebelleiste drunter und kanten bündig einkleben. Installieren Sie das Giebeldaches auf dem Gebäude. Testen Sie Dach (GV14-8) an Wänden, passend zur Richtung der Schindeln. Bei Bedarf anschleifen, dann kleben. Halterungen wie abgebildet unter Dach kleben (Fig. 1).



Create interest on your layout. Add lights to your buildings quickly and easily using the Woodland Scenics® Just Plug® Lighting System. Bereichern Sie Ihre Anlage: Mit dem Woodland Scenics Just Plug Beleuchtungssystem lassen sich Gebäude schnell und einfach beleben.



**WOODLAND
SCENICS®**

**HO SCALE
STRUCTURE KIT**



VEHICLES, FIGURES, DETAILS, DECALS AND LANDSCAPE NOT INCLUDED

Kit Contents: 6 Walls, 14 Pilasters, 2 Entry Doors, 1 Dock Door, 1 Overhead Door, 2 Small Windows, 2 Large Windows, 1 sheet Roof Material, 3 Roof Support Materials, 2 sheets Clear Window Material, Instructions

Combination Package Made in USA O5 ©2000 O CO

**#GV15
JOHNSON BROS.**

5 5/8 in W x 2 3/4 in D x 1 7/8 in H
(14.2 cm x 6.98 cm x 4.76 cm)

Manufactured by **WOODLAND®**
PO BOX 98, LINN CREEK, MO 65052
woodlandscenics.com



**WOODLAND
SCENICS®**

Model making product. Not a toy! Not suitable for children under 14 years! /
Produit pour le modélisme. Pas un jouet! Pas adapté aux enfants de moins
de 14 ans! / Producto para modelismo. No es un juguete! No adecuado
para niños menores de 14 años! / Modellbauartikel. Kein Spielzeug! Nicht
geeignet für Kinder unter 14!



MODELING AND CARE INFORMATION: This kit suggests the use of materials that may stain or cause damage. Take care to cover project area and clothing appropriately. Follow recommendations for use and cleanup.



CAUTION: Cutting tools recommended. Use with care. /
ACHTUNG: Schneidwerkzeuge empfohlen. Mit
Vorsicht benutzen.

#GV15 Johnson Bros.

INSTRUCTIONS

Follow the enclosed City & Industry Building Set General Instructions. The General Instructions will refer to the drawings and instructions included with this kit. Read through all instructions before beginning construction on your kit.

Wall Assembly: Use Pilasters to connect Wall sections. Prepare Narrow Pilasters by sanding the edges without brick detail. Butt Walls GV15-2 and GV15-3 together horizontally on a flat surface, aligning tops of Wall sections with a straightedge (Fig. 1 and Fig.2). Apply glue to the back of a Wide Pilaster and attach to the center flanges of GV15-2 and GV15-3. Glue Narrow Pilasters to outer flanges of GV15-2 and GV15-3, with the brick detail facing the wall. Using the same process, assemble the back wall with GV15-6 and GV15-5. Glue Wide Pilasters to side walls GV15-1 and GV15-4. Let glue dry. Then, glue Wall assemblies together as shown. *Extra Wide Pilasters (4) included.*

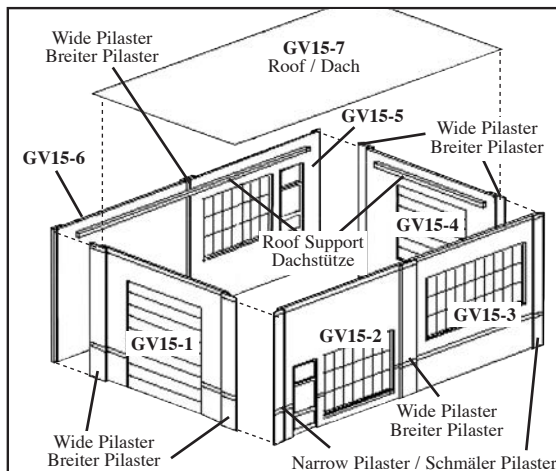
Roof: To install Roof, see "One-piece Chimney" section in General Instructions.

ANWEISUNGEN

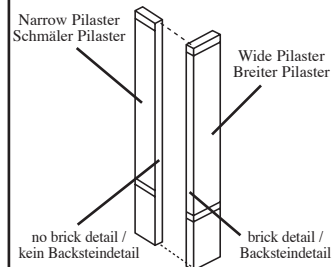
Folgen Sie der beigefügten allgemeinen Bauanweisungen für City & Industry Building Set. Diese allgemeine Bauanweisungen beziehen sich sowohl auf die Montagezeichnung sowie auf die Montageanleitung, die dem Bausatz beiliegt. Lesen Sie bitte sorgfältig alle zugehörigen Anweisungen vor dem Zusammenbau Ihres Bausatzes gut durch.

Wandmontage: Verwenden Sie Pilaster, um Wandabschnitte zu verbinden. Bereiten Sie Schmäler Pilaster vor, indem Sie die Kanten ohne Ziegeldetails schleifen. Stoßwände GV15-2 und GV15-3 horizontal auf einer ebenen Fläche zusammenfügen und die Oberkanten der Wandabschnitte mit einem Lineal ausrichten (Fig. 1 und Fig. 2). Tragen Sie Klebstoff auf die Rückseite eines Breiter Pilasters auf und befestigen Sie ihn an den Mittelflanschen von GV15-2 und GV15-3. Kleben Sie Schmäler Pilaster an die äußeren Flansche von GV15-2 und GV15-3, wobei das Ziegeldetail zur Wand zeigt. Montieren Sie in gleicher Weise die Rückwand mit GV15-6 und GV15-5. Breiter Lisenen an Seitenwände GV15-1 und GV15-4 kleben. Kleber trocknen lassen. Kleben Sie dann die Wandbaugruppen wie abgebildet zusammen. *Inklusive extrabreiter Pilaster (4).*

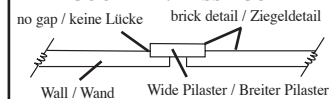
Dach: Um das Dach zu installieren, siehe Abschnitt „Einteiliger Schornstein“ in den allgemeinen Anweisungen.



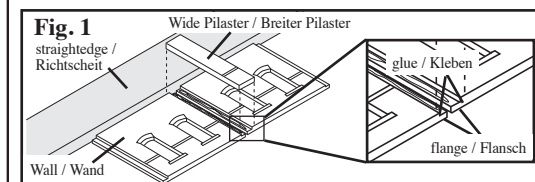
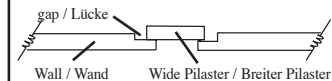
**CORNER PILASTER ASSEMBLY /
ECKPFELER MONTAGE**



**Fig. 2
GOOD FIT / PASST GUT**



POOR FIT / SCHLECHTE PASSFORM



Create interest on your layout. Add lights to your buildings quickly and easily using the Woodland Scenics® Just Plug® Lighting System. Bereichern Sie Ihre Anlage: Mit dem Woodland Scenics Just Plug Beleuchtungssystem lassen sich Gebäude schnell und einfach beleben.